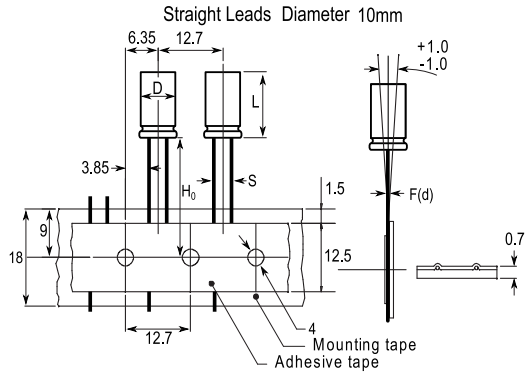


A759, Polymer Aluminum, 125C LowZ, 150 uF, 20%, 35 V, -55/+125C, Lead Spacing = 5mm



Note: '()' correspond to the letters used in the product bulletin

Dimensions

D	10mm +/-0.5mm
L	12mm +/-1mm
S	5mm +/-0.5mm
H0	18.5mm +/-0.5mm
F	0.6mm +/-0.5mm

Packaging Specifications

Packaging:	Ammo
Packaging Quantity:	500

General Information

Supplier:	KEMET
Series:	A759
Dielectric:	Polymer Aluminum
Description:	Single Ended, Polymer Aluminum
RoHS:	Yes
Lead:	Wire Leads

Specifications

Capacitance:	150 uF
Capacitance Tolerance:	20%
Voltage DC:	35 VDC, 40.2 VDC (Surge)
Temperature Range:	-55/+125C
Rated Temperature:	125C
Life:	2000 Hrs (+/-20% Initial Capacitance, 1.5x DF MAX, Leakage Within Limit)
Dissipation Factor:	12% 120Hz 20C
Resistance:	30 mOhms (100kHz 20C)
Current:	4630 mAmps (100kHz 105C), 2700 mAmps (100kHz 125C)
Leakage Current:	787.5 uA (2min 20C)
Impedance Ratio at -25C:	1.25
Impedance Ratio at -55C:	1.25