

Plug-In Outlet Center® Units for use in Healthcare

The healthcare environment offers unique challenges for powering equipment in patient care areas. The medical equipment used in emergency rooms and surgical suites is constantly changing based on the needs of the patient. ULM Series of Medical Grade Plug-in Outlet Center Units (PIOCs) offer medical professionals quick and flexible power delivery in these demanding patient care environments.

For those areas of your healthcare facility that are not used for patient care, such as Admissions, Human Resources, Purchasing, etc., we offer ULBH Series Special Use PIOCs.


The ULM and ULBH Series offer both flexibility and durability to keep your power infrastructure healthy and strong. So remember Legrand when you are seeking innovative solutions to your ever changing power infrastructure needs.



ULM620-6 Medical Grade Plug-In Outlet Center Unit.

FEATURES & BENEFITS

ULM Series Plug-In Outlet Center Units* feature:

- **Safety Certified by TUV Rheinland.** Complies with UL60601-1 and UL1363A. Can be used in patient care areas in compliance with Article 517 of the National Electrical Code (NEC). Allows for maximum flexibility when powering patient care equipment.
- **Redundant bonding of the enclosure as required by UL60601-1.** Assures an ultra reliable grounding path is provided. Proper grounding of medical equipment is essential for patient well-being.
- **Rugged aluminum housing.** Withstands the rigors of the healthcare environment assuring a long service life. End caps include mounting ears to easily mount the unit to hospital carts or other equipment
- **Pass & Seymour® Hospital Grade Receptacles.** Superior quality receptacles are used to ensure reliable connections and long life.
- **15A and 20A configurations.** 20A configuration meets the ever increasing power demands of medical equipment. Expand your capabilities without having to expand your infrastructure.
- **IV Pole Mounting Bracket Available.** Cat. No. IVPM-100 allows for easy mounting and dismounting to 1" diameter IV poles. Mounts and dismounts much faster than typical thumb screw brackets, increasing productivity during cleaning cycles.
- **Safety Caps.** Safety Caps (5 pieces) are included to prevent unauthorized connection of electrical equipment. 

ULBH Series Plug-In Outlet Center Units feature:

- **Safety Certified by UL.** Complies with UL1363, the Standard for Relocatable Power Taps. Provides full protection for staff personnel, while affording maximum flexibility.
- **Rugged aluminum housing.** Withstands the rigors of the healthcare environment assuring a long service life.
- **Pass & Seymour® Hospital Grade Receptacles.** Superior quality receptacles are used to ensure reliable connections and long life.
- **15A configuration.** Provides more than adequate capacity for non patient care areas.

Close-up of Safety Cap provided with ULM Series PIOCs.



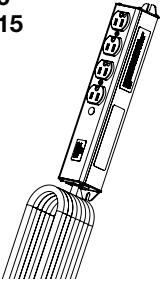

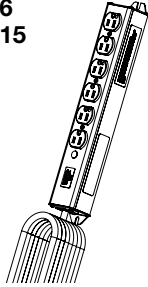

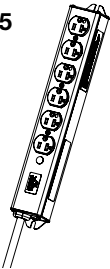

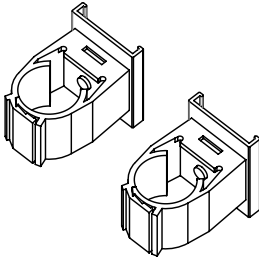
* As with all Medical Electrical Devices, Wiremold® ULM Series PIOCs should only be used under the direction and supervision of your local Health & Safety Officer.

Medical Plug-In Outlet Center Units Quick Selection Guide

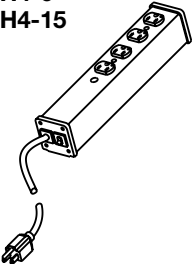

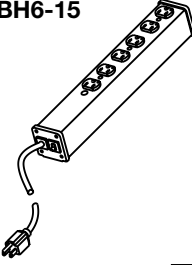

Medical Plug-In Outlet Center Units Selection Guide

Catalog No.	OK to use in Patient Care Area	Configuration	Voltage Rating	NEMA Plug Type	NEMA Receptacle Type	Number of Receptacles	Cord Length
ULM4-6	Yes	15A	125V	5-15P	5-15R	4	6
ULM4-15	Yes	15A	125V	5-15P	5-15R	4	15
ULM6-6	Yes	15A	125V	5-15P	5-15R	6	6
ULM6-15	Yes	15A	125V	5-15P	5-15R	6	15
ULM620-6	Yes	20A	125V	5-20P	5-20R	6	6
ULM620-15	Yes	20A	125V	5-20P	5-20R	6	15
ULBH4-6	No	15A	125V	5-15P	5-15R	4	6
ULBH4-15	No	15A	125V	5-15P	5-15R	4	15
ULBH6-6	No	15A	125V	5-15P	5-15R	6	6
ULBH6-15	No	15A	125V	5-15P	5-15R	6	15

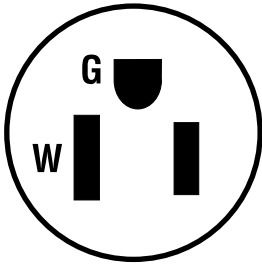
Medical Grade Plug-In Outlet Center Units Ordering Information

Catalog No./Item	Description/Specifications	Catalog No./Item	Description/Specifications
ULM4-6 ULM4-15 	Medical Grade Plug-In Outlet Center Unit – 15A configuration. Four outlets, white finish. 6' (1.8m) or 15' (4.6m) cord. Length 10 3/4" (237mm). Receptacle center-to-center 1 1/2" (38mm). cTUVus Listed as Medical Electrical Equipment. Suitable for use where Article 517 of the NEC requires Hospital Grade Outlets. 	ULM6-6 ULM6-15 	Medical Grade Plug-In Outlet Center Unit – 15A configuration. Six outlets, white finish. 6' (1.8m) or 15' (4.6m) cord. Length 13 1/4" (337mm). Receptacle center-to-center 1 1/2" (38mm). cTUVus Listed as Medical Electrical Equipment. Suitable for use where Article 517 of the NEC requires Hospital Grade Outlets. 
ULM620-6 ULM620-15 	Medical Grade Plug-In Outlet Center Unit – 20A configuration. Four outlets, white finish. 6' (1.8m) or 15' (4.6m) cord. Length 10 3/4" (237mm). Receptacle center-to-center 1 1/2" (38mm). cTUVus Listed as Medical Electrical Equipment. Suitable for use where Article 517 of the NEC requires Hospital Grade Outlets. 	IVPM-100 	IV Pole Mounting Kit – Easy on easy off counting clips to attach the PIOC to a 1" diameter IV Pole.

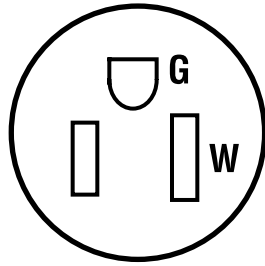
Special Use Plug-In Outlet Centers Ordering Information

Catalog No./Item	Description/Specifications	Catalog No./Item	Description/Specifications
ULBH4-6 ULBH4-15 	Special Use Plug-In Outlet Center Unit – 15A configuration. Four outlets, white finish. 6' (1.8m) or 15' (4.6m) cord. Length 10 3/4" (237mm). Receptacle center-to-center 1 1/2" (38mm). Not for use where Article 517 of the NEC requires Hospital Grade Outlets. <div style="border: 1px solid black; padding: 5px; width: fit-content; margin: 10px auto;"> IMPORTANT Not for use in general care or critical care environments. </div> 	ULBH6-6 ULBH6-15 	Special Use Plug-In Outlet Center Unit – 15A configuration. Six outlets, white finish. 6' (1.8m) or 15' (4.6m) cord. Length 13 1/4" (337mm). Receptacle center-to-center 1 1/2" (38mm). Not for use where Article 517 of the NEC requires Hospital Grade Outlets. <div style="border: 1px solid black; padding: 5px; width: fit-content; margin: 10px auto;"> IMPORTANT Not for use in general care or critical care environments. </div> 

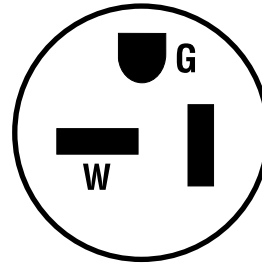
Medical Plug-In Outlet Center Unit Plug Configurations



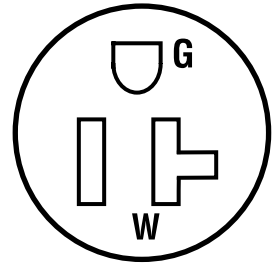
5-15P



5-15R



5-20P



5-20R

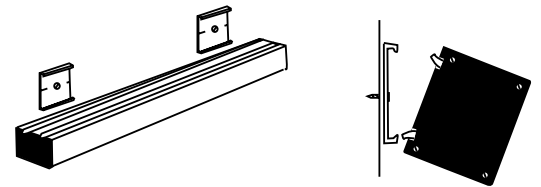
Medical Plug-In Outlet Center Unit Mounting Methods

MOUNTING TYPES

Complete mounting hardware and installation instructions are included with every unit.

Snap-On/Slide-Off

Mount unit in any position. Catalog No. 8004 includes two aluminum mounting clips that snap onto mounting rails on the back of the unit. Screws also included. Used for all units with 2" (51mm) aluminum housing.

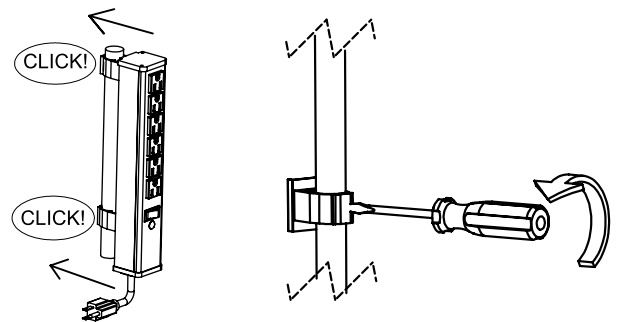


Mounting Ears on End Caps

The ULM Series PIOC's include mounting ears on the end caps, making it easy to attach to hospital carts and other equipment.

IV Pole Mounting Clips, Cat. No. IVPM-100

Two clips provided. Mounts to 1" diameter IV pole. Easy snap-on mounting and quickly removable with a screwdriver.



ULM4-6 mounted to an IV pole using the IVPM-100 mounting bracket kit.



IVPM-100

NOTE: All brand and product names referenced in this document are registered trademarks or trademarks of their respective holders.



NOTE: The paper used to print this document is an environmentally responsible paper with 10% post consumer waste, with FSC and SFI Chain of Custody certifications, Lacey Act compliant. 100% of the electricity used to manufacture Flo sheets is generated with Green-e certified renewable energy.



Electrical Wiring Systems

60 Woodlawn Street
West Hartford, CT 06110
Phone: 1.877.BY.LEGRAND (295-3472)
www.legrand.us

570 Applewood Crescent
Vaughan, Ontario L4K 4B4
Phone: 905.738.9195
www.legrand.ca

