

**EAO AG**

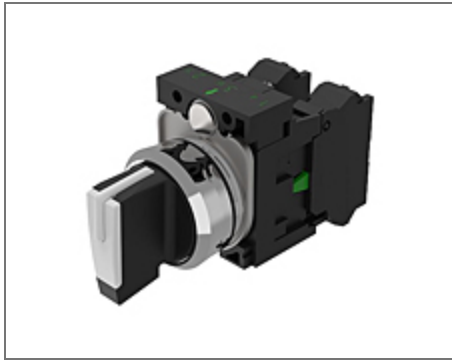
Tannwaldstrasse 88

4600 Olten

Switzerland

Phone: +41 62 286 9111info@eao.com

Part No. 45-180S.3C90.003.408, Selector Switch

[Specifications](#) | [Bill of Materials](#)

Specifications

Actuator	Selector switch
Lens Colour	White
Function	3 Pos., mom., spr return L/R (SelSW) (L>C<R)
Housing Material	Metal/Plastic
Shape of Handle or Frontring	Short handle
Lock System	None
Key	None
Key Type	None
Switching Angle	2x45 Grad (V-Pos)
Contacts	1NO, 1NO
Terminal	Spring-loaded terminal
Voltage Illumination	None

Mounting Type	Front mounting
Mounting Style	Holder
Environmental Rating	IP66, IP67, IP69K
Industry Standards/Certifications	UL, CSA, VDE, CCC, CE, RoHS
Switching Function	On-Off
Illumination	None
Contact Material	Silver
Termination Style	Spring type
Mechanical Life	1'000'000 switching cycles
AC Voltage	500 V
DC Voltage	500 V
Switching Current	10 A

Bill of Materials

Actuator	45-280S.3C90.003
Holder	45-2300.1000.000
Switch Element 1	45-311.1Z40
Switch Element 2	45-311.1Z40