

1492 (Shell size 14, 12x#16)



Connector Part Numbers

Drilling pattern see page 176

Contact type	Connector type	Sealing	Salt spray	Part number*	
				Male insert	Female insert
Contacts supplied separately see page 71	Square flange receptacle	IP67	96h	UT001492PH	UT001492SH
		IP68 & IP69K	96h	UT001492PH6	UT001492SH6
	Plug	IP67, IP68 & IP69K	48h	UT061492PH	UT061492SH
		IP67, IP68 & IP69K	96h	UT061492PH02 (Black)	UT061492SH02 (Black)
	Jam nut receptacle	IP67	48h	UT071492PH	UT071492SH
			48h	UT071492PH6	UT071492SH6
		IP68 & IP69K	96h	UT071492PH01	UT071492SH01
			96h	UT071492PH601	UT071492SH601

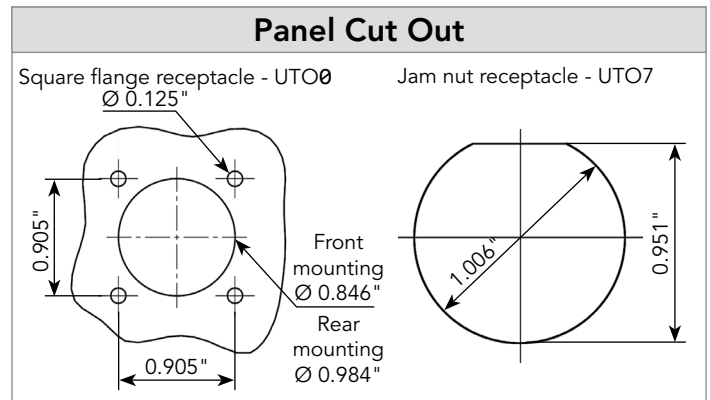
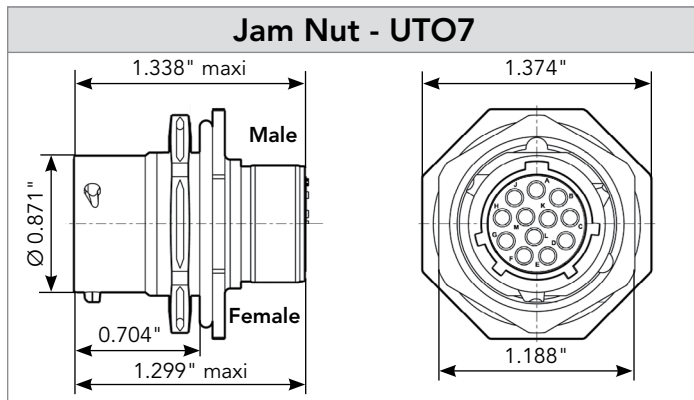
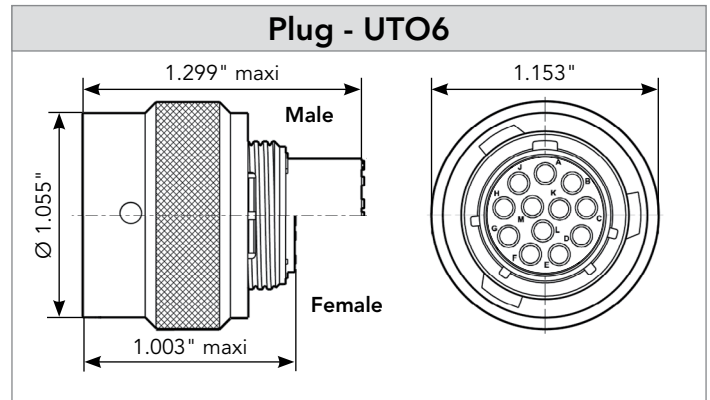
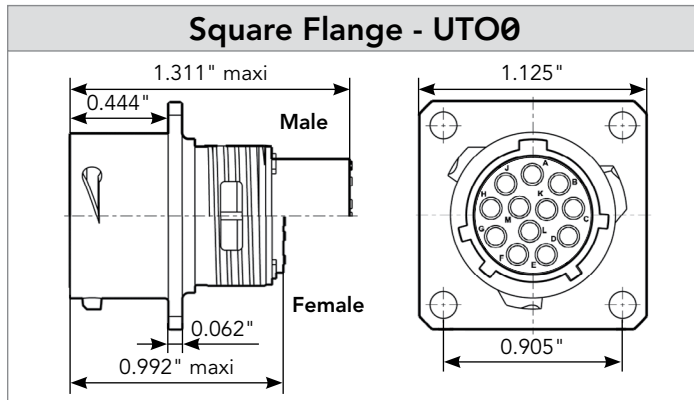
* Other discrimination keying option, see page 180

Backshells

Backshell type	Shielding	Cable range (Ø inch) min/max	Part number	
			Short version	Long version
Cable gland with strain relief nut for water protected applications (IP68 & IP69K) (Fig.1)	-	0.236"/0.393"	UT014JCS	UT014JC
Cable gland with large strain relief nut for water protected applications (IP68 & IP69K) (Fig.2)	-	0.314"/0.472"	UT014JCSL	UT014JCL
Shielded cable gland with strain relief nut for water protected applications (IP68 & IP69K) (Fig.3)	✓	0.275"/0.413"	UT0S14JCS	UT0S14JC
Shielded cable gland with large strain relief nut for water protected applications (IP68 & IP69K) (Fig.4)	✓	0.314"/0.492"	UT0S14JCSL	UT0S14JCL
Metal cable clamp with strain relief (Fig.5)	-	0.393"	UT014AC	
Metal shrink boot adaptor (Fig.6)	-	-	UT014AD	
Metal right angle cable clamp with strain relief nut (Fig.7)	-	0.255"/0.551"	UT014LPGN	
Shielded cable clamp with plastic strain relief nut (Fig.8)	✓	0.255"/0.531"	UT0S14JCPGN	
Cable clamp with plastic strain relief nut (Fig.8)	-	0.255"/0.531"	UT014JCPGN	

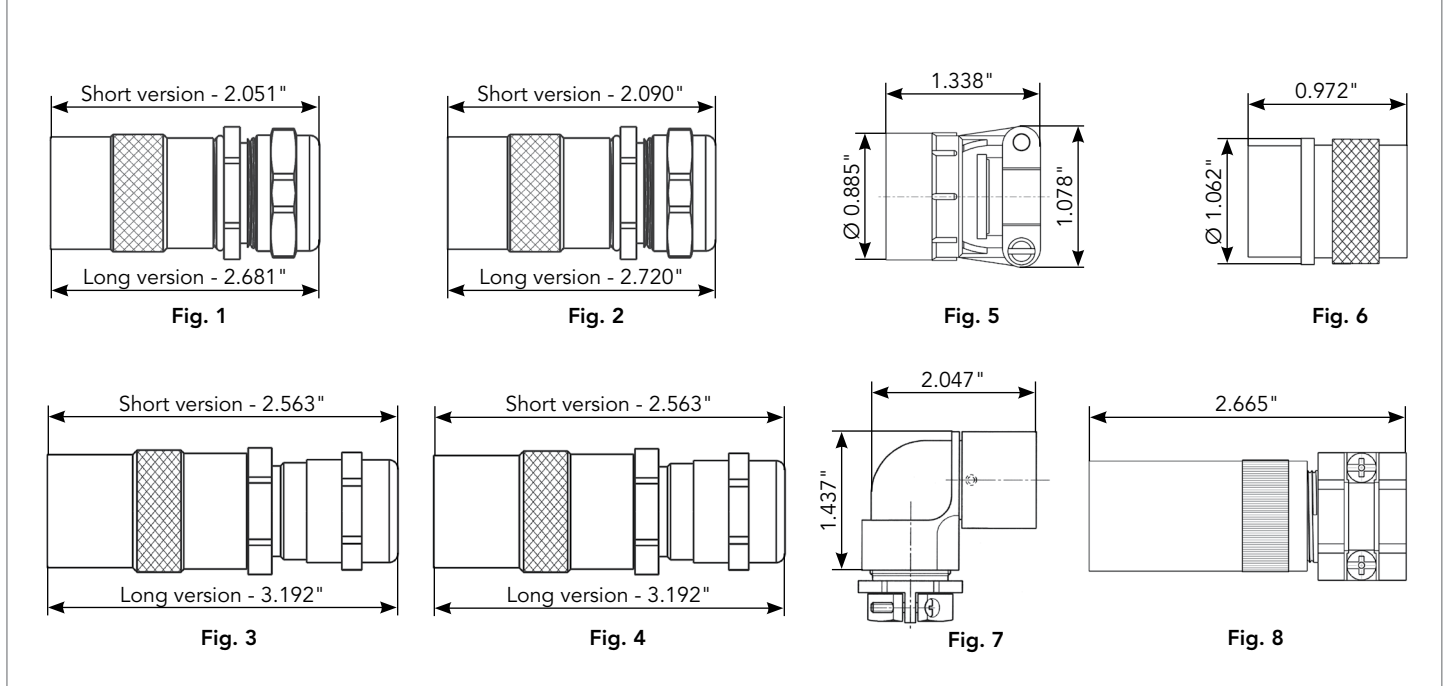
1492 (Shell size 14, 12x#16)

Dimensions



12

Backshells (for Mated Connector Length: See Page 153)



Note: all dimensions are in inches