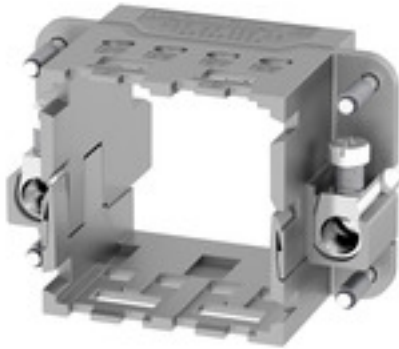


**ModuPlug  
HDC MF 6B AB**

**Weidmüller Interface GmbH & Co. KG**  
Klingenbergstraße 16  
D-32758 Detmold  
Germany  
Fon: +49 5231 14-0  
Fax: +49 5231 14-292083  
www.weidmueller.com

**Simple**

The innovative sliding frame has two defined lock-in positions for opening and closing. This enables simple and tool-free module assembly.

**General ordering data**

Type	HDC MF 6B AB
Order No.	<a href="#">1428920000</a>
Version	Frame
GTIN (EAN)	4050118233414
Qty.	1 pc(s).

**ModuPlug  
HDC MF 6B AB**

**Weidmüller Interface GmbH & Co. KG**  
 Klingenbergstraße 16  
 D-32758 Detmold  
 Germany  
 Fon: +49 5231 14-0  
 Fax: +49 5231 14-292083  
 www.weidmueller.com

**Technical data****Dimensions and weights**

Net weight	63.441 g
------------	----------

**Temperatures**

Limit temperature	-40 °C ... 125 °C
-------------------	-------------------

**General data**

Material	Diecast zinc	Number of slots	2
Plugging cycles	≥ 500	Series	ModuPlug
Size	3		

**PE connection data**

Conductor cross-section, max.	10 mm <sup>2</sup>	Conductor cross-section, min.	0.5 mm <sup>2</sup>
Connection type PE	Screw connection	Tightening torque, max. PE connection	1.2 Nm

**Classifications**

ETIM 5.0	EC002312	ETIM 6.0	EC002312
eClass 6.2	27-14-34-19	eClass 9.1	27-44-02-06

**Product information**

Descriptive text ordering data	2 module slots; double-sided PE screw connection: 0.5 - 10 mm <sup>2</sup> (AWG 20 ... 8); prepared conductor in accordance with IEC 60999-1
Descriptive text technical data	Bei Einbau in IP65 Gehäuse muss die hohe Gehäuse-Bauform gewählt werden.

**Approvals**

Approvals

**Downloads**

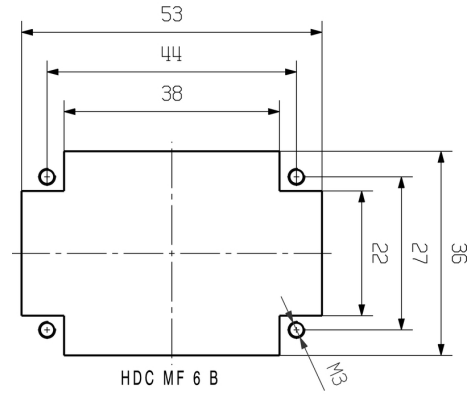
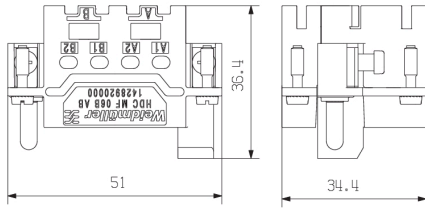
Brochure/Catalogue	<a href="#">CAT 3 HDC 17/18 EN</a> <a href="#">FL FIELDWIRING EN</a>
Engineering Data	<a href="#">EPLAN</a>

**Data sheet**

**ModuPlug  
HDC MF 6B AB**

**Weidmüller Interface GmbH & Co. KG**  
Klingenbergstraße 16  
D-32758 Detmold  
Germany  
Fon: +49 5231 14-0  
Fax: +49 5231 14-292083  
www.weidmueller.com

**Drawings**



**ModuPlug  
HDC MF 6B AB**

**Weidmüller Interface GmbH & Co. KG**  
 Klingenbergstraße 16  
 D-32758 Detmold  
 Germany  
 Fon: +49 5231 14-0  
 Fax: +49 5231 14-292083  
 www.weidmueller.com

**Accessories**

**Miscellaneous**



In addition to heavy-duty connectors, RockStar® includes the appropriate accessories for effective, functional and safe system cabling; e.g. coding systems, shield clamps, cover plates and replacement seals

**General ordering data**

Type	Order No.	Version	GTIN (EAN)	Qty.
HDC MF FIXING	<a href="#">1480290000</a>	Transport lock	4050118288704	20 pc(s).
HDC MF CA16 PE	<a href="#">1480940000</a>	PE extension	4050118289657	1 pc(s).

**ModuPlug**



Many demands are made on a connector's shielding. Several tailored solutions are available for meeting these requirements:

- Shield discharge via an EMC cable gland
- The use of shield levers together with shield clips

Shield clips are used to fasten the shielded conductor to the shield lever. The shield clips are available in various sizes for different sized conductors.

**General ordering data**

Type	Order No.	Version	GTIN (EAN)	Qty.
HDC MSL6	<a href="#">1435410000</a>	Shield clamp	4050118239898	1 pc(s).