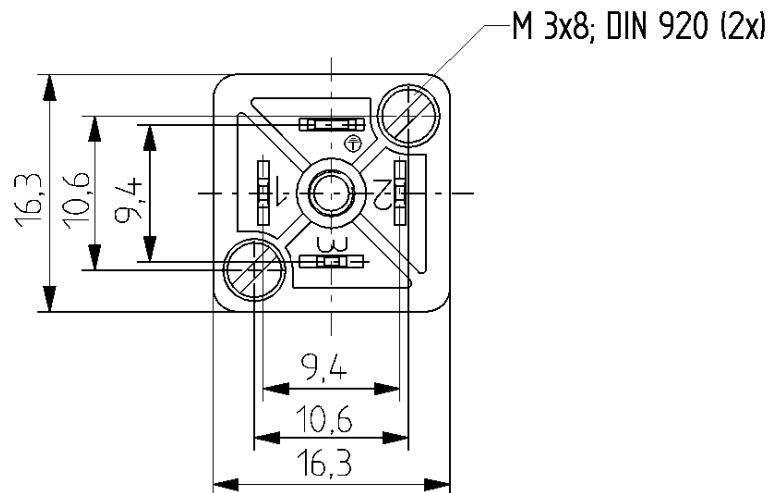
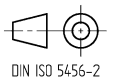


Dichtung ist gesondert zu bestellen.
Gasket to order separate.



The information/details in this datasheet merely contain general descriptions or performance factors which, when applied in an actual situation, do not always correspond with the described form, and may be amended by way of the further development of products. The desired performance factors shall only be binding if these are expressly agreed on conclusion of the contract.



Product description

Description	appliance plug
Type	GSSA 300
Order No	933-116-100
Type of contacts	male
Number of contacts	2+PE
Conductor size	0,34 mm ²
Standard	industrial standard (9,4 mm)
Color housing	black

Technical data

Clearance / Creepage distance	DIN EN 60664-1 (2008/01); VDE 0110-1
Rated voltage	250 V AC/DC
Rated current *	6A
Rated impulse voltage	2,5 kV
Pollution degree	3 acc. to DIN EN 60664-1 (VDE 0110-1)
Type of connection	solder
Mounting	M3x8 (2x)

* Notice derating

Materials

Contact	CuZn
Contact plating	Cu/Sn
Contact bearer	PA 66

Environmental conditions

Protection class (IEC 60529) *	IP65 *
Temperature range (connector)	-40°C to +125°C, notice derating

* only if mounted and locked in combination with Hirschmann / Lumberg connector.

Flammability class

Contact bearer	UL 94 V-2
----------------	-----------

Approvals

VDE	VDE-Reg.-Nr.: 1978
UL	E95522
CSA	2372911
SEV	ESTI: 10.0649

Packaging

Packaging unit	1 piece in plastic bag
----------------	------------------------

Accessories

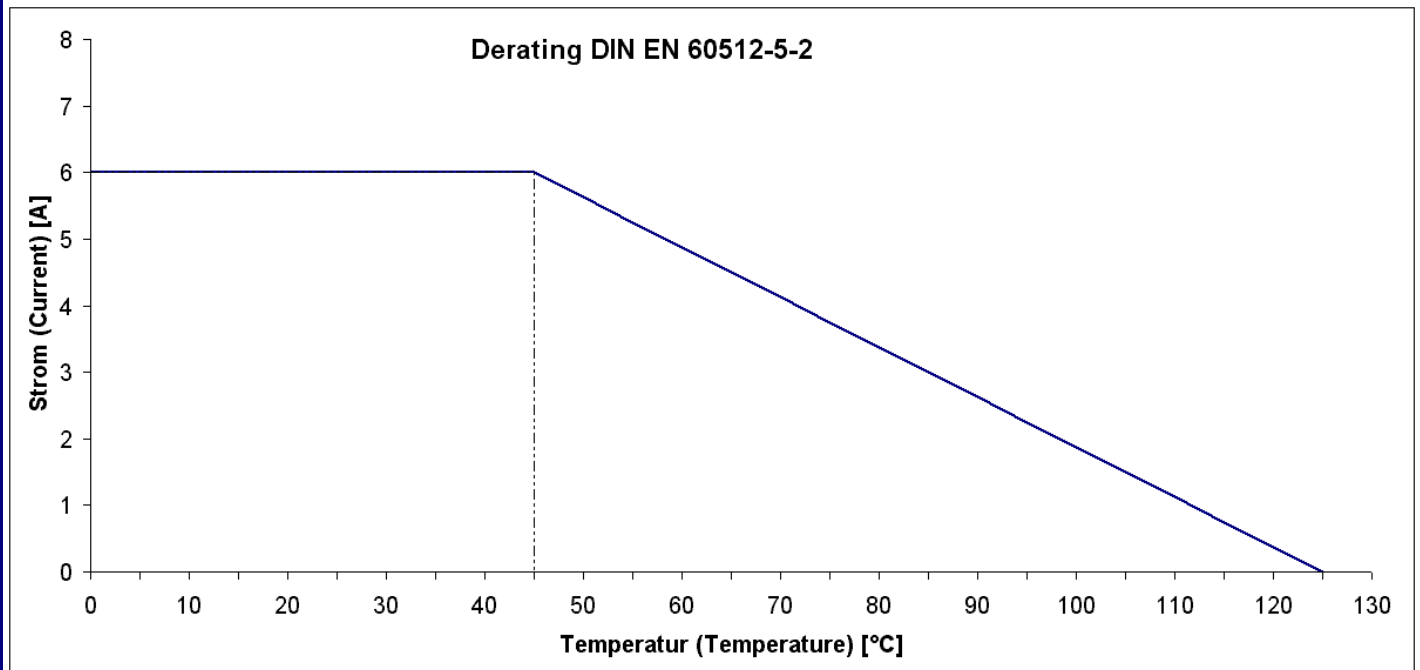
Mating connectors / fitting to	cable sockets of series: GDS ...
Accessories to order separately	flat gasket 730-233-900 for Temp.-range: -30°C to +90°C

Additional technical data

Fastening torque (mounting screw)	M3: (35 - 40) Ncm
-----------------------------------	-------------------

Notes

Do not connect or disconnect under load.



product overview

Article-No.	Type
933-116-100	GSSA 300