

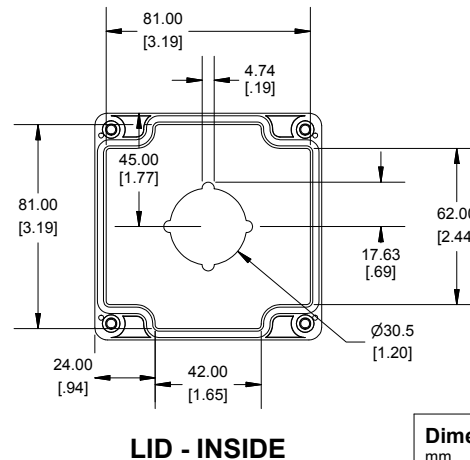
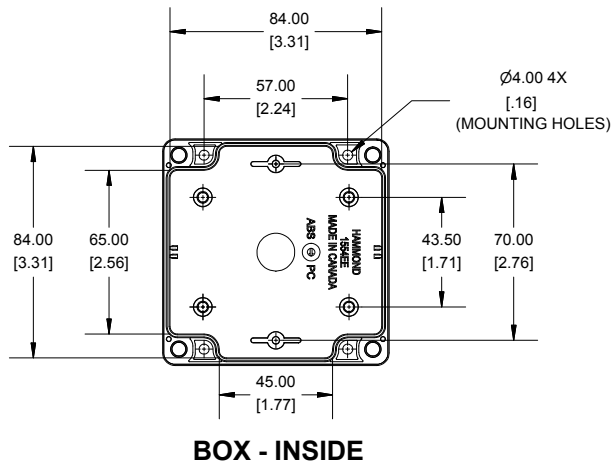
SEE ENCLOSURE 1554EE
FOR MORE DETAIL

POLYCARBONATE
VERSION ONLY
UL US LISTED
FILE #E65324
TYPE 4,4X,6,6P

Enclosures can be Factory Modified (Milling, Drilling, Printing etc.)
Contact Factory mjm@hammondmfg.com for quotes
Solid models of this enclosure available in STEP or IGES.
(Part number and text placement/orientation on our products are subject to change,
we do not recommend using them as a locating reference for modification purposes)

NOTE	
Purchased assembly includes box, lid, 4 cover screws, and preformed silicone gasket.	
Polycarbonate version is UL 508A approved. (Mat'l UL94 - 5VA @ 3mm)	
Lid accepts 30.5mm push buttons	
Recommended Cover screw torque -- 43-57 ozf-in (30-40 cN-m)	

1554PB	
1554PB Enclosure	
Polycarbonate RAL-7035	1554PB1A
ACCESSORIES	
Steel Inner Panels	1554EPL
Steel Panel / P.C. Board (Pkg 100) [M3-0.5 x 8mm Plated]	1591MM100
Steel Panel / P.C. Board Self Tapping Screw [#6 X 1/4" (6.4mm) Plated] (Pkg 100)	1598ATS100
Cover Screws (Pkg 50) [M4-0.7 X 20mm Stainless Steel]	SC576-50



Dimensions:
mm
[inches]

HAMMOND
MANUFACTURING
1554PB1A
www.hammondmfg.com