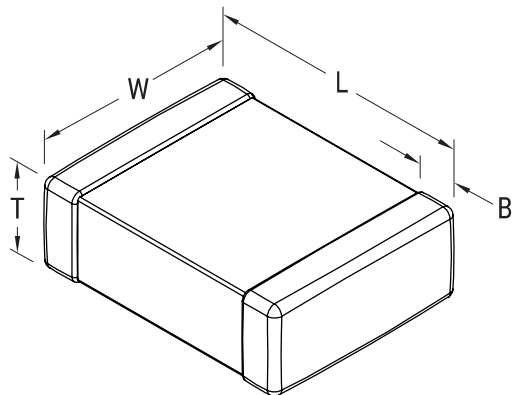


SMD Auto X7R Flex, Ceramic, 22 uF, 10%, 10 VDC, X7R, SMD, MLCC, FT-CAP, Automotive Grade, 1210



Dimensions	
L	3.3mm +/-0.4mm
W	2.6mm +/-0.3mm
T	2.5mm +/-0.30mm
B	0.6mm +/-0.25mm

Packaging Specifications	
Packaging:	T&R, 180mm, Plastic Tape
Packaging Quantity:	1000

General Information	
Supplier:	KEMET
Series:	SMD Auto X7R Flex
Style:	SMD Chip
Description:	SMD, MLCC, FT-CAP, Automotive Grade
Features:	FT-CAP, Automotive Grade
RoHS:	Yes
Termination:	Flexible Termination
Marking:	No
Qualifications:	AEC-Q200
AEC-Q200:	Yes
Miscellaneous:	Note: Referee time for X7R dielectric for this part number is 1000 hours
Chip Size:	1210

Specifications	
Capacitance:	22 uF
Capacitance Tolerance:	10%
Voltage DC:	10 VDC
Dielectric Withstanding Voltage:	25 V
Temperature Range:	-55/+125C
Temperature Coefficient:	X7R
Dissipation Factor:	5.00% 120Hz 25C
Aging Rate:	3% Loss/Decade Hour
Insulation Resistance:	5 MOhms