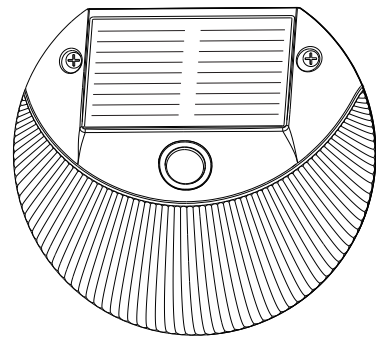
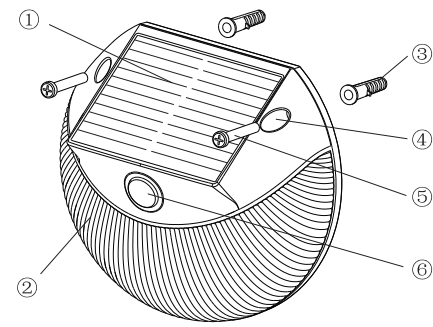


# GUIDE

SOLAR MOTION LIGHT



## User Manual



1. Solar Panel
2. Light Diffuser
3. Wall Plugs
4. Fixing Holes
5. Screws
6. PIR Motion Sensor

.1.

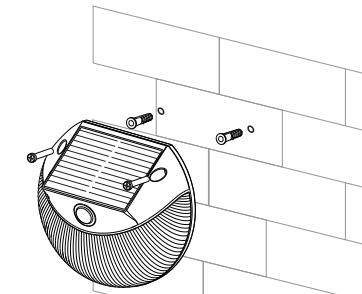
## Technical Specifications:

- Solar Panel: 0.5W
- Li-ion battery: 2000mAh 3.7V
- LEDs: Warm White, 200 Lumens
- PIR Sensor 3 - 5m 120°
- Detection range: 120°, 3m
- Waterproofing Level: IP65

.2.

## Installing the light

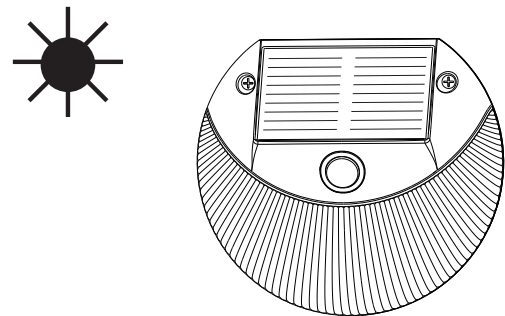
An unshaded south facing wall will give the best performance from the light. Please use the supplied wall plugs and screws to mount the light unit on the wall. Use the diagram on the rear as a reference for marking and drilling.



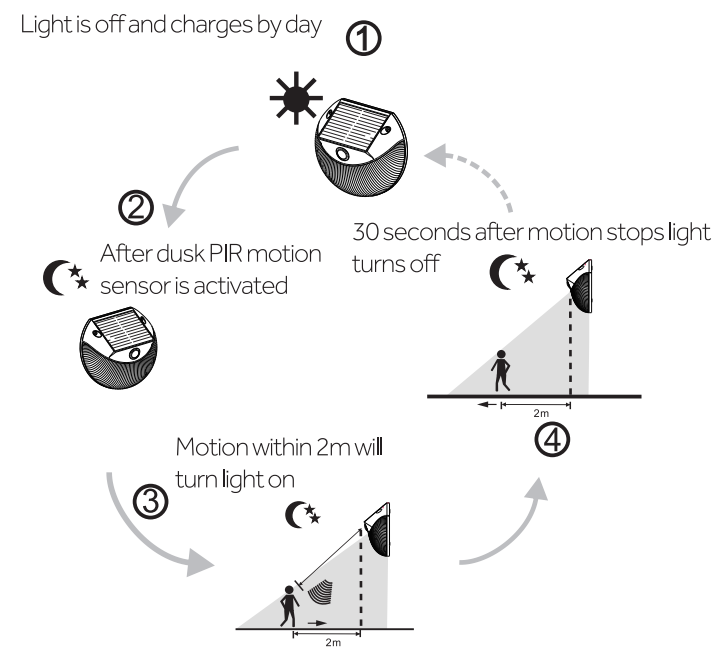
.3.

## Activating the light

If the light is installed by day it will automatically activate in the evening.  
If the light is installed after dusk or on a particularly overcast day it may not activate until the following evening.



.4.



.5.

## Troubleshooting:

### The Light won't activate

The light should arrive in the box with at least 80% charge in the battery. Shine a bright torch on the solar panel or take the light unit inside and hold it under a bright light. The Guide will turn on. After dusk the motion sensor will be activated and the light will operate as normal.

Is there another light source hitting the panel, tricking it into thinking it's still daylight? Cover the panel with your hand to simulate total darkness. If the light activates you may need to reconsider where the light is installed.

.6.

## Package includes:

2. Wall Plugs x 2
3. Screws x 2
4. Guide light unit

## For customer support please contact:

The Solar Centre Ltd  
Unit 5, Dencora Centre  
Campfield Road  
St Albans  
Hertfordshire  
AL1 5HN

W: [www.solarcentre.co.uk](http://www.solarcentre.co.uk)

E: [info@solarcentre.co.uk](mailto:info@solarcentre.co.uk)



Made in China to Solar Centre Specification

**solarcentre**<sup>®</sup>  
making solar that works

.7.

