

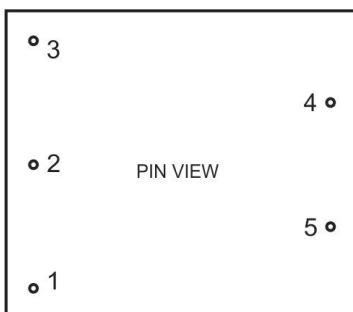


Features:

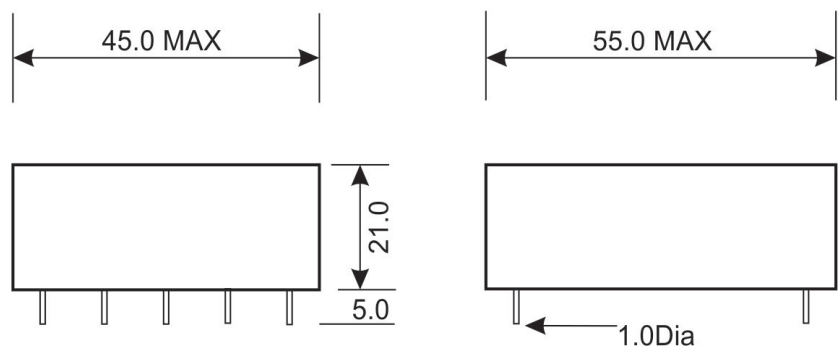
- 15W Small Compact Size - PCB Mount
- Single Output - Regulated
- Output Range: 3.3V - 48VDC
- Input: 90 - 265VAC , 47 - 63Hz
- Low Standby Power <0.3W
- Low Ripple & Noise
- Encapsulated Design
- Fully Isolated Pri - Sec >4200Vrms
- Materials: UL94-V0
- Safety: EN61558, EN60950, CE

Part Number	Power Rating Watts	Output Voltage (Vdc)	Output Current (mA)	Ambient Temp. (°C)	Efficiency Typical	Input Range
VTX-214-015-103	15	3.3	4500	55 (85@25% Load)	86%	90 - 265VAC
VTX-214-015-105	15	5	3000			
VTX-214-015-106	15	6	2500			
VTX-214-015-107	15	7.5	2000			
VTX-214-015-109	15	9	1666			
VTX-214-015-112	15	12	1250			
VTX-214-015-115	15	15	1000			
VTX-214-015-118	15	18	833			
VTX-214-015-124	15	24	625			
VTX-214-015-148	15	48	315			

Note: Other output voltages are available upon request.



Pin 1: N/A
 Pin 2: Input AC N
 Pin 3: Input AC L
 Pin 4: Output DC +V
 Pin 5: Output GND



Unit weight: 84g

Please contact Vigortronix for any enquiries. Products can be altered to suit custom requirements.
 The information contained in this document is subject to change without notice.

Vigortronix, 16 De Havilland Way, Witney, Oxfordshire, OX29 0YG, UK

Tel. +44 (0)1993 777570 Fax. +44 (0)1993 777580 Web. www.vigortronix.com E-mail: sales@vigortronix.com

Vigortronix is a trading name of Vigortronix (UK) Limited

Model: 15 Watt		Specification
INPUT Pin 3: L Pin 2: N Pin 1: FG	Voltage Range	90 - 265VAC / 47 - 63Hz
	Current	100mA Max (100VAC) / 70mA Max (240VAC)
	Inrush Current	20A Max (100VAC) / 40A Max (240VAC)
	No Load power	0.3W Max
	Leakage Current	0.3mA Max
OUTPUT Pin 4: DC+ Pin 5: GND	Voltage Accuracy	3%
	Load Regulation Vout-load	0.5%
	Ripple	<250mV (mVp-p)
	Efficiency	>86%
	Minimum Load	0
Protection	Over Power	Hiccup mode
	Over Voltage	Hiccup mode
	Short Circuit Protection	Hiccup mode
Dielectric Isolation	Input to Output	3600Vrms, 5mA 1 Min (4200VAC 2sec)
Environment	Operating Temperature	-25°C - +55°C (+85°C@25%)
	Storage Temperature	-40°C - +105°C
	Humidity	10 - 95% RH
	MTBF	>300,000Hrs @ 25°C (MIL-HDBK-217F)
	Weight	84g
Safety	Agency Approval	EN60950-1, EN61558-1, EN61558-2-6, EN61558-2-17
EMC	EMI	CISPR22, EN55022 Class B
	EMS	Compliance with EN55024, EN55014-1, EN55014-2, EN61000-3-2 Class A, EN61000-3-3

Note: Unless otherwise specified, all the above parameters are measured at ambient temperature of 25°C and Vin=220Vac.

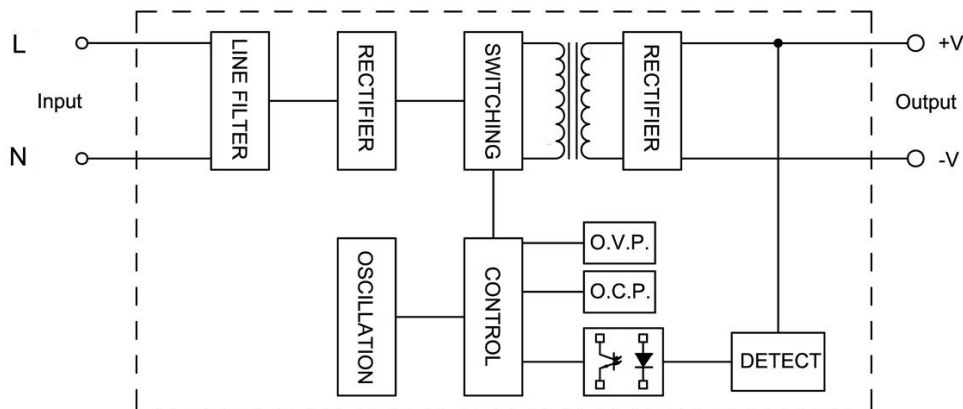
Please contact Vigortronix for any enquiries. Products can be altered to suit custom requirements.
 The information contained in this document is subject to change without notice.

Vigortronix, 16 De Havilland Way, Witney, Oxfordshire, OX29 0YG, UK

Tel. +44 (0)1993 777570 Fax. +44 (0)1993 777580 Web. www.vigortronix.com E-mail: sales@vigortronix.com

Vigortronix is a trading name of Vigortronix (UK) Limited

Recommended Application and Test Schematic



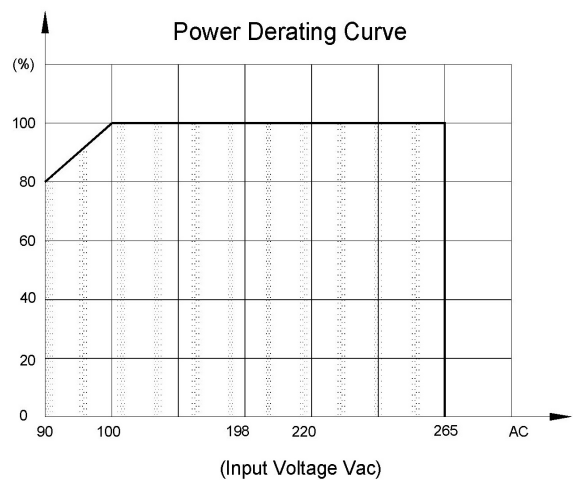
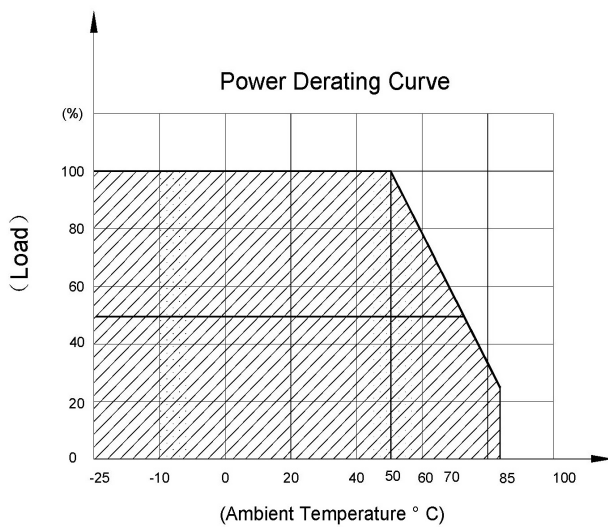
Notes:

Recommended Fuse for input 1A/250V Slow- Blow

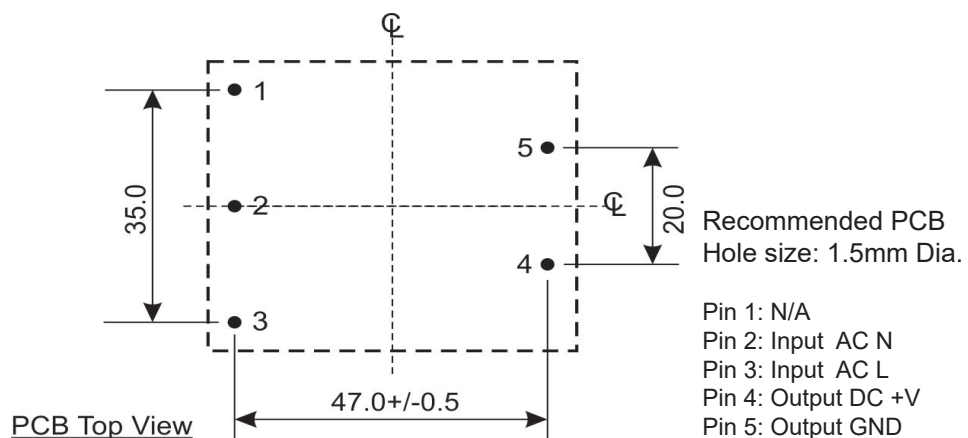
It is recommended for Surge protection to fit a Varistor, similar to 14D431K

On the output if required fit a Electrolytic and ceramic capacitor, to remove any high frequency noise.

Derating Graph



PCB Layout



Please contact Vigortronix for any enquiries. Products can be altered to suit custom requirements. The information contained in this document is subject to change without notice.

Vigortronix, 16 De Havilland Way, Witney, Oxfordshire, OX29 0YG, UK

Tel. +44 (0)1993 777570 Fax. +44 (0)1993 777580 Web. www.vigortronix.com E-mail: sales@vigortronix.com

Vigortronix is a trading name of Vigortronix (UK) Limited