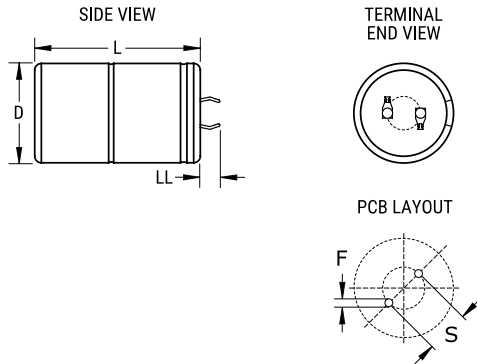


ALA7D, Aluminum Electrolytic, 85C, 680 uF, 20%, 400 VDC, -40/+85C



| Dimensions | |
|------------|---------------|
| D | 35mm +1mm |
| L | 45mm +/-2mm |
| S | 10mm +/-0.1mm |
| LL | 6.3mm +/-1mm |
| F | 2mm +/-0.1mm |

| Packaging Specifications | |
|--------------------------|-----------|
| Weight: | 75 g |
| Packaging: | Bulk, Bag |
| Packaging Quantity: | 100 |

| General Information | |
|---------------------|---|
| Supplier: | KEMET |
| Series: | ALA7D |
| Dielectric: | Aluminum Electrolytic |
| Description: | Snap-In, Aluminum Electrolytic |
| RoHS: | Yes |
| Lead: | 2 Pin |
| Qualifications: | AEC-Q200 |
| AEC-Q200: | Yes |
| Miscellaneous: | Vibration: <= 35mm 1.5mm displacement amplitude or 20G maximum acceleration. Vibration applied for three directions of 4-hour sessions at 10 – 2,000 Hz. (Capacitor clamped by body.) |
| Shelf Life: | 156 Weeks |

| Specifications | |
|------------------------|---|
| Capacitance: | 680 uF |
| Capacitance Tolerance: | 20% |
| Voltage DC: | 400 VDC, 440 VDC (Surge) |
| Temperature Range: | -40/+85C |
| Rated Temperature: | 85C |
| Life: | 15000 Hrs (Rated Voltage And Ripple Current At 85C), 24000 Hrs (Rated Voltage At 85C) |
| Resistance: | 263.4 mOhms (100Hz 20C), 1628 mOhms (10kHz 20C) |
| Ripple Current: | 2.84 Amps (100Hz 105C), 5.82 Amps (10kHz 105C) |
| Leakage Current: | 1632 uA (5min 20C) |