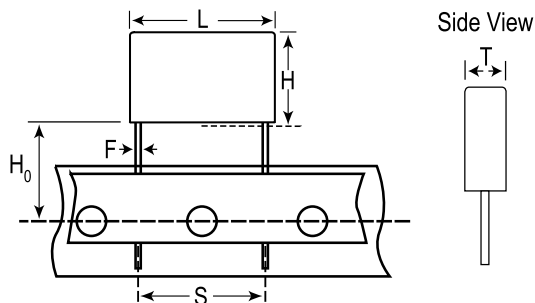


KEMET Part Number: PME261JA4100KR19T0
(P561HE102K500L)

PME261/P561, Film, Metallized Paper, General Purpose, 1000 pF, 10%, 1000 VDC, 85C, Lead Spacing = 10.2mm



| General Information | |
|---------------------|--|
| Supplier: | KEMET |
| Series: | PME261/P561 |
| Dielectric: | Metallized Paper |
| Style: | Radial |
| Features: | Pulse in DC and low frequency applications |
| RoHS: | Yes |
| Lead: | Wire Leads |
| Construction: | Molded |
| Miscellaneous: | AC Operation: 70C MAX |

| Dimensions | |
|------------|--------------------|
| L | 13.5mm MAX |
| H | 7.5mm MAX |
| T | 3.9mm MAX |
| S | 10.2mm +0.6/-0.1mm |
| H0 | 18.5mm +/-0.5mm |
| F | 0.6mm +/-0.05mm |

| Specifications | |
|------------------------|-----------|
| Capacitance: | 1000 pF |
| Capacitance Tolerance: | 10% |
| Voltage AC: | 500 VAC |
| Voltage DC: | 1000 VDC |
| Temperature Range: | -40/+100C |
| Rated Temperature: | 85C |
| Dissipation Factor: | 1.3% 1kHz |
| Insulation Resistance: | 12 GOhms |
| Max dV/dt: | 2000 V/us |

| Packaging Specifications | |
|--------------------------|-----|
| Packaging: | T&R |
| Packaging Quantity: | 700 |