

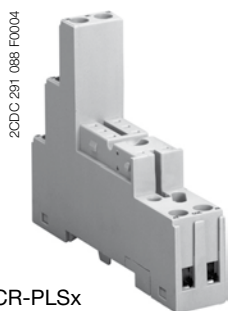
Accessories for pluggable interface relays CR-P

Sockets

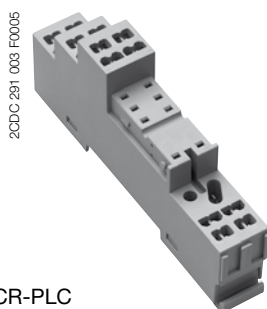
Data sheet



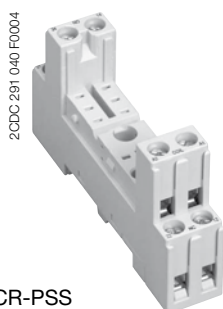
CR-PLS



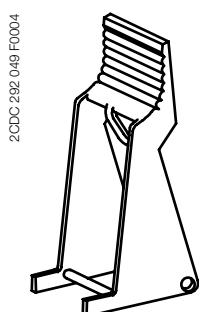
CR-PLSx



CR-PLC



CR-PSS



CR-PH

Features

- Logical and standard sockets for pluggable interface relays CR-P
- Snap-on mounting on DIN rail
- Width 15,5 mm
- Connector for pluggable function modules: reverse polarity protection/free wheeling diode, LED indication, RC element, overload protection, time module

Approvals

- UL 508
- CAN/CSA C22.2 No.14 (except CR-PLC)
- GOST
- RMRS

Marks

- CE CE (except CR-PLC)

Order data

Type	Version	Connection	Order code
Logical sockets			
CR-PLS	with safety isolation	screw	1SVR 405 650 R0000
CR-PLSx		screw	1SVR 405 650 R0100
CR-PLC		spring	1SVR 405 650 R0200
Standard socket			
CR-PSS		screw	1SVR 405 650 R1000

Accessories for CR-P sockets

CR-PH	Plastic holder	1SVR 405 659 R0000
CR-PJ	Jumper bar	1SVR 405 658 R5000

Standard sockets - Position of connecting terminals:

coil connection (A1-A2) on lower socket side,
contact connections (n/o and n/c contacts) on the lower and upper socket side.

Logical sockets - Position of connecting terminals:

coil connection (A1-A2) on lower socket side,
all contact connections (common contacts, n/o and n/c contacts) on upper socket side.

Details see connection diagrams.

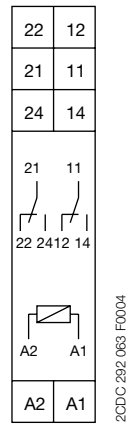
Socket including marker. Packing unit 10 = pieces.

Accessories for pluggable interface relays CR-P

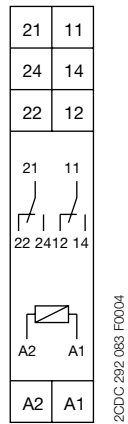
Sockets

Data sheet

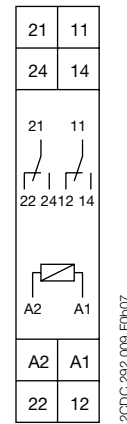
Connection diagrams



CR-PLS



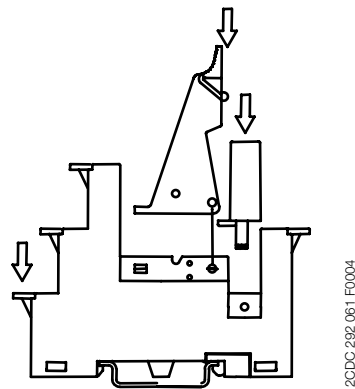
CR-PLSx, CR-PLC



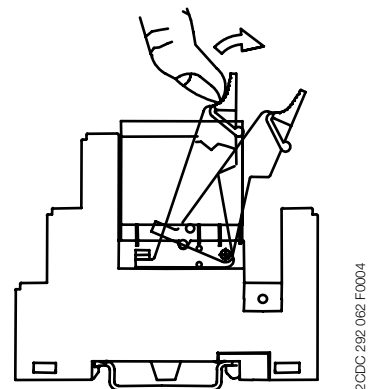
CR-PSS

A1-A2 Supply voltage
 11-12/14 Relay outputs
 21-22/24

Mounting



Removal



Accessories for pluggable interface relays CR-P

Sockets

Data sheet

Technical data

Type		CR-PLS(x)	CR-PSS	CR-PLC
Output circuit(s)		11-12/14, 21-22/24		
Number of poles		2		
Rated voltage		300 V AC		
Rated current	1 pole	12 A		10 A
	2 poles	2 x 12 A		2 x 10 A
General data				
Dimensions without holder and module (L x W x H)		75 x 15.5 x 61 mm (78.5 x 15.5 x 61 mm)	75 x 15.5 x 50.5 mm	97 x 16 x 45.2 mm
Degree of protection	terminals	IP 20 B (EN 60529)		
Temperature range	operation	-40...+85 °C		-20...+85 °C
	storage	-40...+85 °C		
Connection type		screw connection		spring connection
Maximum number of wires per connecting terminal		2		2 (one per connection point)
Wire size	rigid			0.2-1.5 mm ² (24-16 AWG)
	fine-strand	2 x 2.5 mm ² (2 x 14 AWG)		
	with wire end ferule	2 x 1.5 mm ² (2 x 16 AWG)		
Torque		0.8 Nm		-
Maximum clamping force	wire with 0,2 mm ²	-	-	10 N
	wire with 1,5 mm ²	-	-	40 N
Mounting		DIN rail (EN 50022)		
Material	socket	PA 6+GF - V2		
	contacts	CuZn33		
	contact surface	5μ tinned		
	terminals	8 μ galvanized		XCrNi Stahl
	combi screw M3	8.8 Steel, 5μ nickelized		-
Isolation data				
Insulation voltage		> 3 kV		> 4 kV
Isolation between coil and contacts		EN 61984		VDE 0106 / 101
Clearance and creepage distance		EN 61984		DIN EN 60664-1
Standards				
Product standard		EN 61984: 2001		
Low Voltage Directive		73/23/EWG		

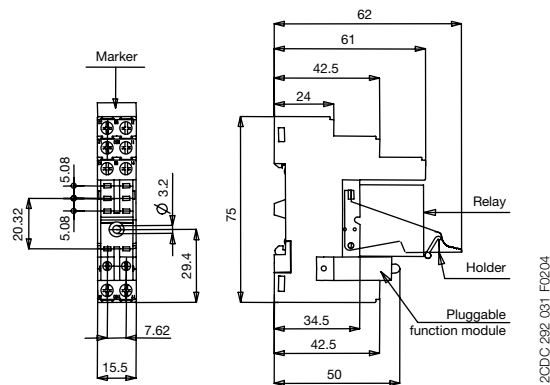
Accessories for pluggable interface relays CR-P

Sockets

Data sheet

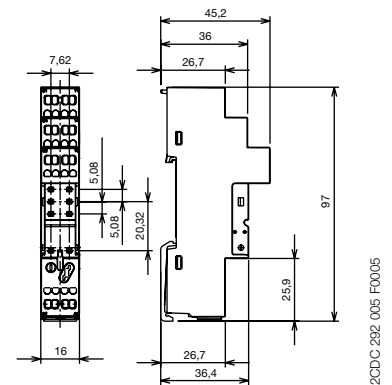
Dimensions

in mm



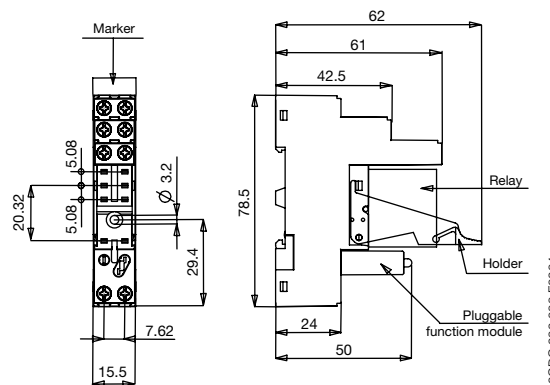
2CDC 292 031 F0204

CR-PLS



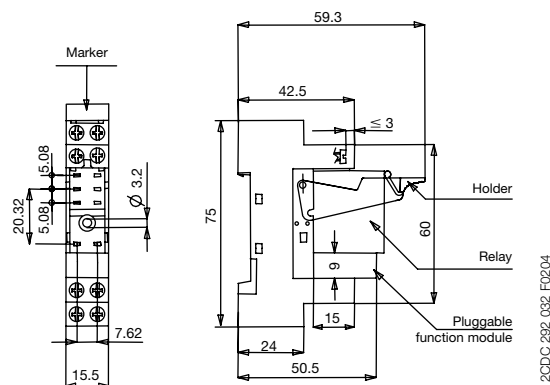
2CDC 292 005 F0005

CR-PLC



2CDC 292 033 F0204

CR-PLSx



2CDC 292 032 F0204

CR-PSS

Further documentation

Document title	Document type	Document number
Relays CR-P	Data sheet	2CDC 117 001 D0203
Jumper bar CR-PJ	Data sheet	2CDC 117 015 D0201
Pluggable function modules CR-P/M	Data sheet	2CDC 117 007 D0204
Pluggable time modules CR-P/M T	Data sheet	2CDC 117 011 D0201



As part of the on-going product improvement, ABB reserves the right to modify the characteristics of the products described in this document. The information given is non-contractual.

For further details please contact (www.abb.com/contacts) the ABB company marketing these products in your country.

Document number: 2CDC 117 004 D0203 (02/2008)

ABB STOTZ-KONTAKT GmbH

Eppelheimer Strasse 82, 69123 Heidelberg, Germany
Postfach 10 16 80, 69006 Heidelberg, Germany
Internet <http://www.abb.com/lowvoltage> → Control Products

Contact: <http://www.abb.com/contacts> → Low Voltage Products and Systems