

## SAIP-M12BG-4-3.0V

**Weidmüller Interface GmbH & Co. KG**

Klingenbergstraße 16

D-32758 Detmold

Germany

Fon: +49 5231 14-0

Fax: +49 5231 14-292083

www.weidmueller.com



Sensor/actuator cables are used for wiring sensors and actuators and for transmitting data or power in various applications. The moulded cable offers connected and tested connection of the plug-in connector to the cable ex-works. The cables may be exposed to a wide range of conditions, such as humidity, dust, heat, cold, shock or vibration.

Our developers have focused specifically on this issue and designed a host of different M8 and M12 sensor-actuator cables so you are bound to find the solution you need for your application.

The M8 and M12 sensor-actuator cables are supplied as standard with brass nickel-plated nuts. However if you are looking to use our products in an extremely harsh environment, we can also supply a variant with a plastic nut. This enables use in environments where cables with nickel-plated M8 and M12 nuts would rust.

Is there something you have not managed to find or you feel needs explanation? Talk to us!

### General ordering data

Type	SAIP-M12BG-4-3.0V
Order No.	<a href="#">1465960300</a>
Version	Sensor/actuator line, One end without connector, M12, Number of poles : 4, 3 m, Female socket, straight, Shielded: No, LED: No, Sheath material: PVC, Halogen: Yes
GTIN (EAN)	4050118274707
Qty.	1 pc(s).

**SAIP-M12BG-4-3.0V****Weidmüller Interface GmbH & Co. KG**

Klingenbergstraße 16

D-32758 Detmold

Germany

Fon: +49 5231 14-0

Fax: +49 5231 14-292083

www.weidmueller.com

**Technical data****Dimensions and weights**

Net weight 135 g

**Technical specifications for cable**

Number of poles	4	Core cross-section	0.34 mm <sup>2</sup>
Outside diameter	5.3 ± 0.2 mm	Shielded	No
Insulation	PVC	Colour coding	brown, white, blue, black
Sheath material	PVC	Sheathing colour	Black
Cable length	3 m	Temperature range, moving	-5...80 °C
Temperature range, stationary	-30...80 °C	Halogen	Yes
Suitable for cable carriers	No	Torsion resistance	0 °/m
Resistant to welding beads	No		

**General technical data**

Version	Female socket, straight	connection thread	M12
Housing main material	PUR	Threaded ring material	Plastic
Coding	A	Protection degree	IP65, IP66, IP67, IP68, when screwed in
Contact surface	Gold-plated	LED	No
Rated voltage	250 V	Rated current	4 A
Insulation resistance	10 <sup>8</sup> Ω	Temperature range of housing	-25...+85 °C
Tightening torque	M12: 0.8 - 1.2 Nm	Plugging cycles	≥ 100
Pollution severity	3	jumpered	No

**Standards**

Connector standard IEC 61076-2-101 Certificate no. (cULus) E307231

**Classifications**

ETIM 6.0	EC001855	eClass 6.2	27-06-91-90
eClass 7.1	27-06-91-90	eClass 8.1	27-06-91-90
eClass 9.0	27-06-91-90	eClass 9.1	27-06-03-11

**Approvals**

Approvals



ROHS

Conform

**Downloads**

Brochure/Catalogue [FL FIELDWIRING EN](#)  
 Engineering Data [EPLAN, WSCAD](#)

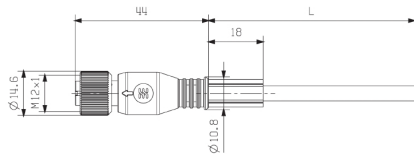
**Data sheet**

**SAIP-M12BG-4-3.0V**

**Weidmüller Interface GmbH & Co. KG**  
 Klingenbergstraße 16  
 D-32758 Detmold  
 Germany  
 Fon: +49 5231 14-0  
 Fax: +49 5231 14-292083  
 www.weidmueller.com

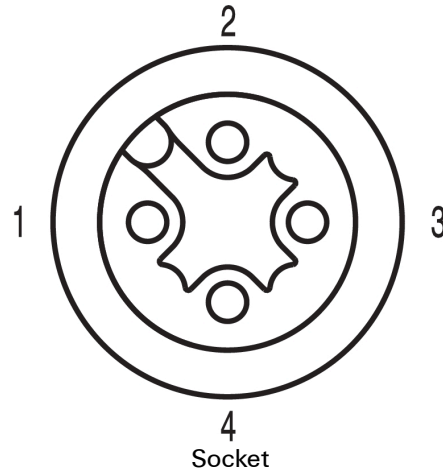
**Drawings**

**Dimensioned drawing**



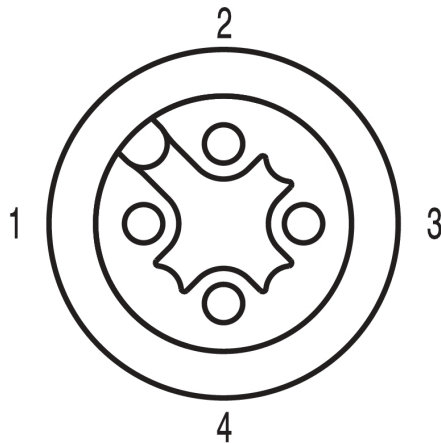
Straight socket

**Pole scheme**



Socket

**Wiring diagram**



**The ideal tool, the Screwty® with torque function**



Light, securely screwed-in round plug-in connectors. Screwty set DM / VPE: 1 / Order No.: 1920000000 Adapters: M12, M12 F, M8, M8 F