



Type N F/F In/Out RF Coaxial Surge Protector 1.5MHz - 700MHz DC Block 2kW 50kA Blocking Cap and Gas Tube

RF Surge Protectors Technical Data Sheet

LCSP1025

Features

- Surge current of 50kA
- Max Power 2kW
- Frequency range from 1.5 MHz to 700 MHz
- N Female to N Female connectors
- VSWR 1.1:1
- Multi-strike capability
- CE & RoHS compliant

Applications

- HF, UHF and VHF radios
- Ham radios
- Remote industrial monitoring

Description

RF surge protector (also known as lightning arrester) LCSP1025 from L-COM utilizing a proprietary surge protection technology protects critical hardware from lightening events while maintaining the RF performance. This RF surge protector component is manufactured in a coaxial in-line design with wide operating frequency range. Optional weather proofing kit and copper cleaning kit are available for purchase separately. All L-COM RF surge protector products are available in stock with same day shipping.

Electrical Specifications

Surge Protector Type DC Handling Blocking Cap and Gas Tube DC Block

Description	Minimum	Typical	Maximum	Units
Frequency Range	1.5		700	MHz
Impedance		50		Ohms
VSWR			1.1:1	
Return Loss			26	dB
Insertion Loss			0.1	dB
Input Power, CW			2	kWatts
2kW @ 1.5 to 50MHz				
375W @ 50 to 220MHz				
125W @ 220 to 700MHz				
Surge Current			50	kAmps
IEC 61000-4-5 8/20µs WAVEFORM				
Turn On Voltage		600 ±20 %		Volts
Throughput Energy			3,500	µJ
@ 3kA 8/20µs WAVEFORM				

Click the following link (or enter part number in "SEARCH" on website) to obtain additional part information including price, inventory and certifications: [Type N F/F In/Out RF Coaxial Surge Protector 1.5MHz - 700MHz DC Block 2kW 50kA Blocking Cap and Gas Tube LCSP1025](#)



Type N F/F In/Out RF Coaxial Surge Protector 1.5MHz -
700MHz DC Block 2kW 50kA Blocking Cap and Gas Tube

RF Surge Protectors Technical Data Sheet

LCSP1025

Mechanical Specifications

Configuration

Input Connector
Output Connector

N Female
N Female

Environmental Specifications

Temperature

Operating Range
Storage Range

-50 to 50 deg C
-55 to +85 deg C

Compliance Certifications (see [product page](#) for current document)

Plotted and Other Data

Notes:

Our portfolio includes cable assemblies, connectors, adapters and custom products, as well as their wireless product line which includes antennas, RF amplifiers, coaxial lightning and surge protectors, and NEMA rated enclosures.

Click the following link (or enter part number in "SEARCH" on website) to obtain additional part information including price, inventory and certifications: [Type N F/F In/Out RF Coaxial Surge Protector 1.5MHz - 700MHz DC Block 2kW 50kA Blocking Cap and Gas Tube LCSP1025](#)

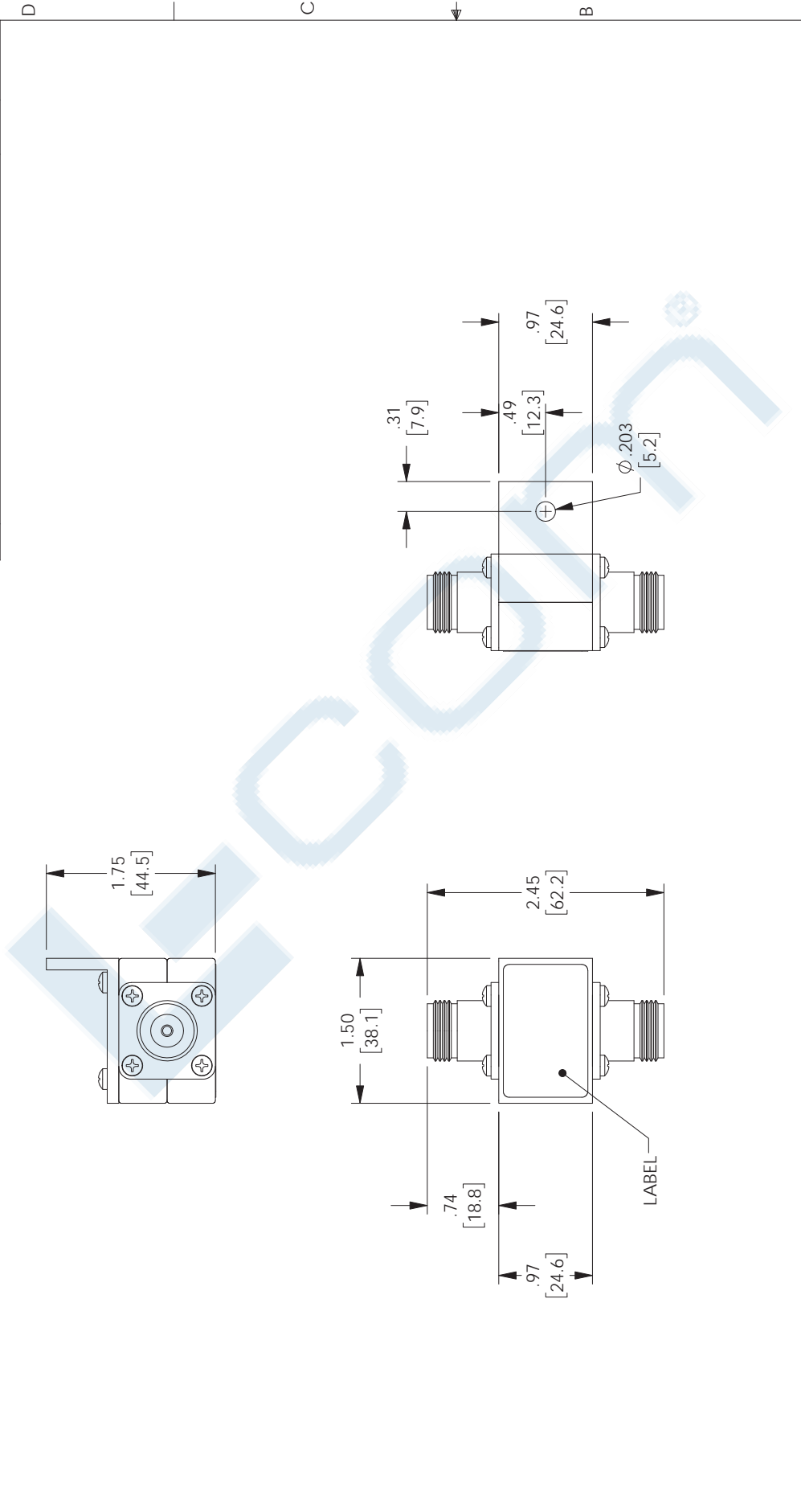
URL:

The information contained in this document is accurate to the best of our knowledge and representative of the part described herein. It may be necessary to make modifications to the part and/or the documentation of the part, in order to implement improvements. L-com reserves the right to make such changes as required. Unless otherwise stated, all specifications are nominal. L-com does not make any representation or warranty regarding the suitability of the part described herein for any particular purpose, and L-com does not assume any liability arising out of the use of any part or documentation.

LCSP1025 CAD Drawing

Type N F/F In/Out RF Coaxial Surge Protector 1.5MHz - 700MHz DC Block 2kW 50kA Blocking Cap and Gas Tube

REV	DESCRIPTION	DATE	APPROVED
A	INITIAL RELEASE	3/14/18	D.FRISIELLO



<p>UNLESS OTHERWISE SPECIFIED, DIMENSIONS ARE IN INCHES (mm)</p> <p>OVERALL CABLE LENGTH TOLERANCE:</p> <p>≤12 (305) = +1 (25) / -0</p> <p>>12 (305) ≤60 (1524) = +2 (51) / -0</p> <p>>60 (1524) ≤120 (3048) = +4 (102) / -0</p> <p>>120 (3048) ≤700 (17780) = +1 (25) / -0</p> <p>>700 (17780) = -5% / -0%</p> <p>ALL OTHER DIMENSIONAL TOLERANCES:</p> <p>X = ±.001 [0.025]</p> <p>XX = ±.002 [0.051]</p> <p>XXX = ±.005 [0.127]</p>	<p>APPROVALS</p> <p>DATE</p> <p>3/14/18</p>	<p>50 HIGH STREET NORTH ANDOVER, MA 01845</p>
<p>PROJECTION</p>	<p>COLOR VARIATIONS MAY OCCUR</p>	<p>RF LIGHTNING PROTECTORS</p> <p>BROADBAND 1.5-400MHz R50</p>
<p>DRAWN BY: D. FRISIELLO</p> <p>CHECKED BY: M. MARINEZ</p> <p>APPROVED BY: M. MARINEZ</p>	<p>DATE</p> <p>3/14/18</p>	<p>Global Connectivity</p>
<p>CONFIGURATION DETAILS OF UNDIMENSIONED FEATURES MAY VARY</p>	<p>SIZE</p> <p>A</p>	<p>REV. A</p>
<p>FSCM NO. 43321</p>	<p>DWG. NO. PE73SP1025</p>	<p>SHEET 1 OF 1</p>
<p>SCALE: NONE</p>	<p>CAD FILE: PE73SP1025.SLDDRW</p>	<p> </p>

- NOTES:**
- HARDWARE INCLUDED.
 - COMPONENT SHALL BE INDIVIDUALLY PACKAGED IN ACCORDANCE WITH L-COM SPECIFICATION PS-0031.
- REGULATORY COMPLIANCE:**
CE2011/65/EU (RoHS DIRECTIVE)