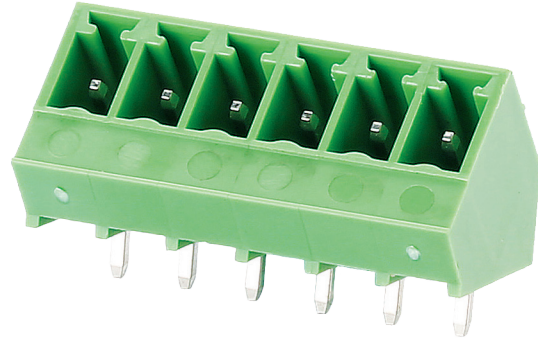


Terminal Block Header Angled 21.155MA/xx-E

3.81mm Pitch, 300V 8A, Terminal Block Header, Green, Solid Block

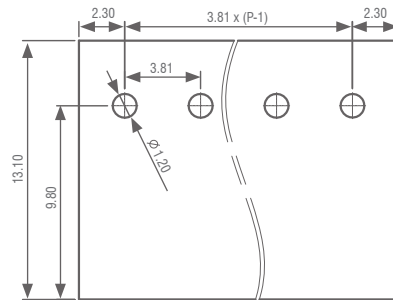
Key Features

- 300V 8A
- UL94V-0
- PA66
- 3.81mm Pitch
- RoHS Compliant
- xx = Number of Poles (available from 2~24 poles)

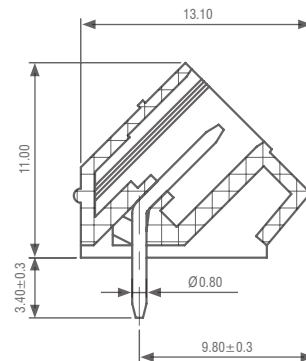
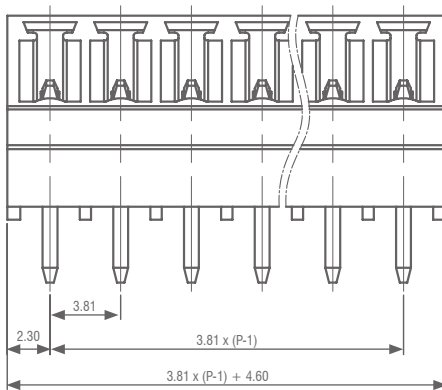


Technical Data

Pitch	3.81mm
UL Rating	300V 8A
IEC Rating	250V 12A
Solder Pin	Copper Alloy, Tin Plated
Wire Range	n/a
PCB Hole Diameter	1.20mm
Stripping Length	n/a
Screw	n/a
Screw Type	n/a
Screw Torque	n/a
Insulation Voltage	AC2000V / 1 Min
Initial Contact Resistance	20mΩ
Insulation Resistance	500MΩ / DC500V
Temperature Range	-40 to +105°C
Max Soldering	+250°C for 5 sec



PCB Layout



Dimensions shown in mm P = No of Poles

Supplied in green as standard

Other colour options and printing may be available depending upon quantity

Please contact IMO for further information