

Plastic Hoods

DTPK-P+High Density D-sub Solder Cup

TECHNICAL SPECIFICATIONS

D-Sub Hood:

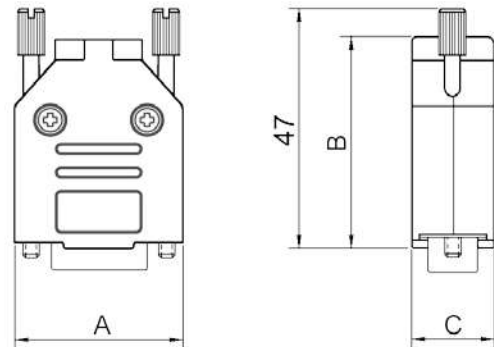
Material:	UL 94 V-0 Plastic Material
Operating Temperature:	-55°C to +110°C
Cable Entry:	Top
Thumbscrews:	UNC 4-40 (Standard)
Cable O.D.:	Up to 11,5mm
Colour:	Black

High Density D-Sub Solder Cup:

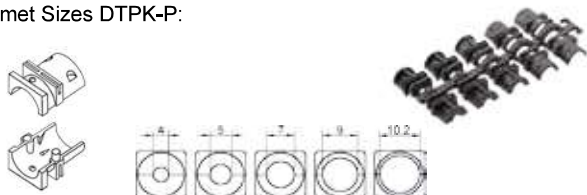
Insulator:	Glass filled TP, UL94 V-0
Shell:	Steel, Tin Plated
Contact pins:	Copper Alloy Gold Flash over Ni.
Stamped & Formed Pins	Class 3, 100 inserts min.
Contact Plating:	Gold flash over Nickel
Operating Temperature:	-55°C to +85°C
Withstanding voltage:	>1000V Rms to 50 Hz for 1 minute
Current Rating:	3A
Insulator resistance:	>5000MΩ min.

Features:

- Available in sizes HD 15-26-44-62
- Strain relief inserts ensure a secure termination
- Re-openable



Grommet Sizes DTPK-P:



Size DTPK-P	Dim A	Dim B	Dim C
9-way	31,2	39,9	15,0
15-way	39,5	41,5	15,0
25-way	53,4	48,6	15,0
37-way	69,7	53,6	15,0

Ordering information:

High Density D-Sub Connector Kits

Size:	P/N - Kitted:	Description:
HD 15	L17DTPK-P-09+L717HDE15P	Solder Cup, 15-Male
HD 26	L17DTPK-P-15+L717HDA26P	Solder Cup, 26-Male
HD 44	L17DTPK-P-25+L717HDB44P	Solder Cup, 44-Male
HD 62	L17DTPK-P-37+L717HDC62P	Solder Cup, 62-Male

Size:	P/N - Kitted:	Description:
HD 15	L17DTPK-P-09+L77HDE15S	Solder Cup, 15-Female
HD 26	L17DTPK-P-15+L77HDA26S	Solder Cup, 26-Female
HD 44	L17DTPK-P-25+L77HDB44S	Solder Cup, 44-Female
HD 62	L17DTPK-P-37+L77HDC62S	Solder Cup, 62-Female