

Plastic Hoods

DTPK-P+Screw Type Connector

**TECHNICAL SPECIFICATIONS**

**D-Sub Hood:**

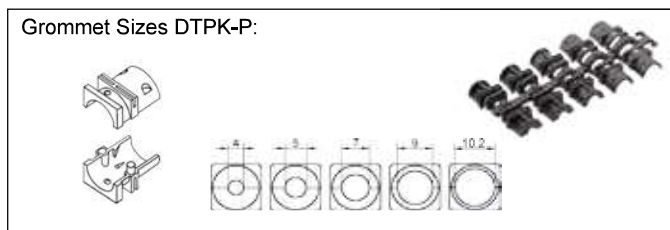
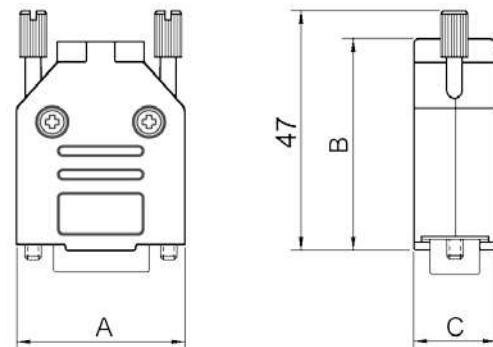
Material: UL 94 V-0 Plastic Material  
 Operating Temperature: -55°C to +110°C  
 Cable Entry: Top  
 Thumbscrews: UNC 4-40 (Standard)  
 Cable O.D: Up to 11,5mm  
 Colour: Black

**D-Sub Screw Connector:**

Insulator: Glass filled TP, UL94 V-0  
 Shell: Steel, Tin Plated  
 Contact pins: Machined Brass pins  
 15µ" Gold plated over Ni.  
 AWG Wire Size: AWG 18  
 Contact Plating: Gold flash over Nickel  
 Operating Temperature: -55°C to +85°C  
 Withstanding voltage: >1000V Rms to 50 Hz  
 for 1 minute  
 Current Rating: 7.5A  
 Insulator resistance: >5000MΩ min.

**Features:**

- Available in sizes 9-15-25
- Strain relief inserts ensure a secure termination
- Re-openable



Size DTPK-P	Dim A	Dim B	Dim C
9-way	31,2	39,9	15,0
15-way	39,5	41,5	15,0
25-way	53,4	48,6	15,0

**Ordering information:**

*Screw Connector D-Sub Connector Kits*

Size:	P/N - Kitted:	Description:
9-way	L17DTPK-P-09+L717DE09PST	Screw type, 9-Male
15-way	L17DTPK-P-15+L717DA15PST	Screw type, 15-Male
25-way	L17DTPK-P-25+L717DB25PST	Screw type, 25-Male

Size:	P/N - Kitted:	Description:
9-way	L17DTPK-P-09+L77DE09SST	Screw type, 9-Female
15-way	L17DTPK-P-15+L77DA15SST	Screw type, 15-Female
25-way	L17DTPK-P-25+L77DB25SST	Screw type, 25-Female