

## Full Metal Hoods

## DTSL-T-LJS-RG+Screw Type Connector

### TECHNICAL SPECIFICATIONS

#### D-Sub Hood:

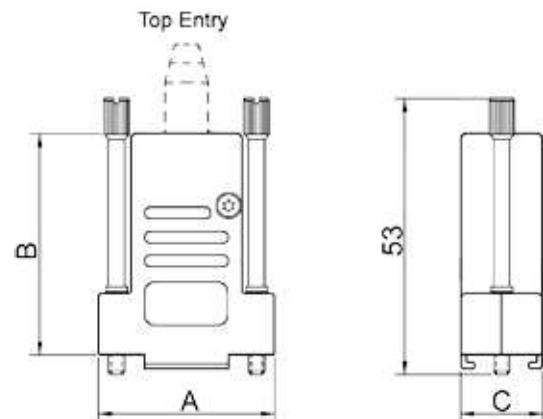
Material:	Zinc, Nickel Plated
Operating Temperature:	-40°C to +120°C
Cable Entry:	Top Entry Rubber Grommet RGS
Strain relief:	Clamp + Insert
Thumbscrews:	<b>Long Jackscrews</b> UNC 4-40 (Standard)
Cable O.D.:	Up to 11.5mm

#### D-Sub Screw Connector:

Insulator:	Glass filled TP, UL94 V-0
Shell:	Steel, Tin Plated
Contact pins:	Machined Brass pins 15µ" Gold plated over Ni.
AWG Wire Size:	AWG 18
Contact Plating:	Gold flash over Nickel
Operating Temperature:	-55°C to +85°C
Withstanding voltage:	>1000V Rms to 50 Hz for 1 minute
Current Rating:	7.5A
Insulator resistance:	>5000MΩ min.

#### Features:

- Available in Sizes 9-15-25
- Long Jackscrews
- 360° EMI Shielding
- Quick assembly
- Pre-mounted locking screws



Size DTSL	Dim A	Dim B	Dim C
9-way	32,2	42,0	15,0
15-way	40,8	42,3	15,0
25-way	54,0	42,3	15,0

### Ordering information:

### Screw Connector D-Sub Connector Kits

Size:	P/N - Kitted:	Description:
9-way	L17DTSL09-LJS-RG-T+L717DE09PST	Screw type, 9-Male
15-way	L17DTSL15-LJS-RG-T+L717DA15PST	Screw type, 15-Male
25-way	L17DTSL25-LJS-RG-T+L717DB25PST	Screw type, 25-Male

Size:	P/N - Kitted:	Description:
9-way	L17DTSL09-LJS-RG-T+L77DE09SST	Screw type, 9-Female
15-way	L17DTSL15-LJS-RG-T+L77DA15SST	Screw type, 15-Female
25-way	L17DTSL25-LJS-RG-T+L77DB25SST	Screw type, 25-Female