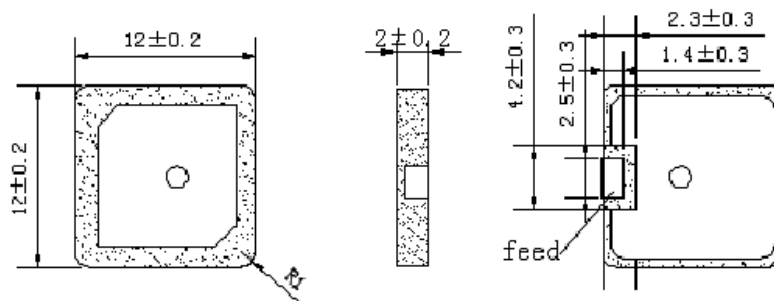


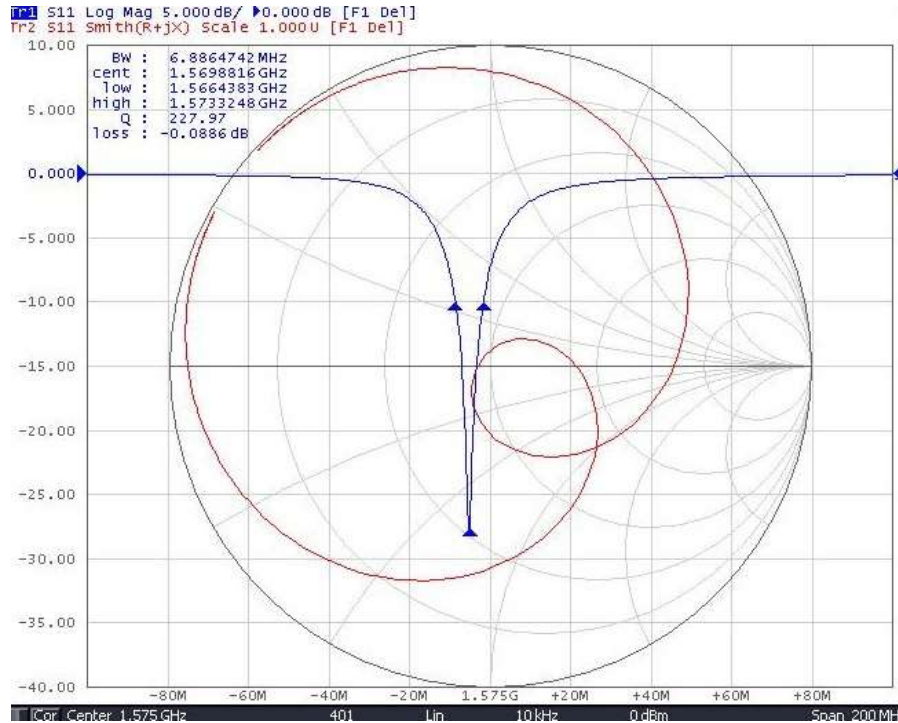
■ ELECTRICAL SPECIFICATIONS

SPECIFICATIONS	SPECIFICATIONS	UNIT
Frequency Range	1575.42	MHz
Center Frequency (with 50x50 GND Plane)	1570 ± 3	MHz
Band Width (Return Loss ≤-10dB), min	5	MHz
VSWR (in Center Frequency), max	2	-
Gain (Zenith), typ	0	dBi
Polarization	RHCP	-
Impedance	50	Ω
Frequency Temperature Coefficient	0 ± 10	ppm/°C
Operating Temperature Range	-40 ~ +85	°C
Storage Temperature Range	-40 ~ +85	°C
Soldering Temperature, max (10 s)	240	°C

■ DIMENSIONS



FREQUENCY CHARACTERISTICS



APPROVAL

RALTRON	
DRAWN BY:	LP, September 14, 2016
APPROVED BY:	CP, September 14, 2016
REVISION:	A, Initial Release