

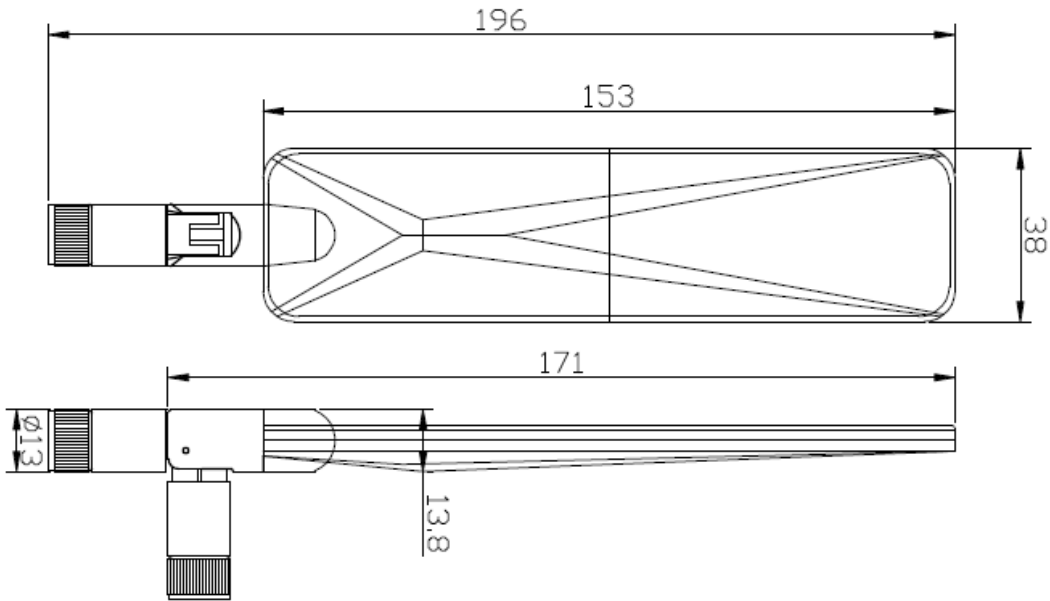
Electrical Specifications

Parameters		Specification	Unit
Frequency Range		699~960/1575/1710~2690 AMPS: 824~894 GSM: 900 GPS: 1575.42 DCS: 1800 PCS: 1900 3G/UMTS: 2100 WiFi/BLUETOOTH: 2400	MHz
VSWR, max	699 ~ 2500 MHz	2.5	-
	2500 ~ 2690 MHz	5.0	
Impedance		50	Ω
Gain, typ		3.0	dBi
Polarization		Vertical	-
Power		50	W
Operating Temperature Range		-40 ~ +60	°C
Storage Temperature Range		-40 ~ +85	°C

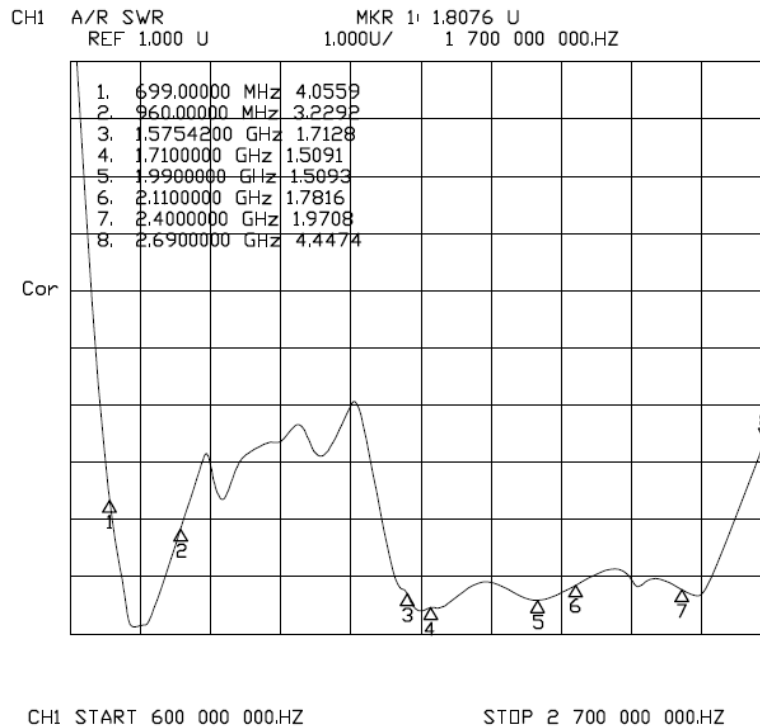
Mechanical Specifications

Parameters		Specification	Unit
Antenna Cover		TPE	-
Antenna Base		PBT + PC	-
RF Connector		SMA MALE	-
Radome Color		Black	-

Dimensions



Frequency Characteristics



July 2017