

Electrical Specifications

1. ANTENNA

Parameters	Specification	Unit
Frequency Range	L1: 1575.42 ± 1.023 B1: 1561.098±2.046 GLONASS: 1601.02±1.15	MHz
VSWR, max	2.0	-
Bandwidth, min	20	MHz
Impedance	50	Ω
Gain (based on 70x70mm ground plane)	5	dBic
Polarization	RHCP	-
Operating Temperature Range	-40 ~ +80	°C
Storage Temperature Range	-45 ~ +85	°C

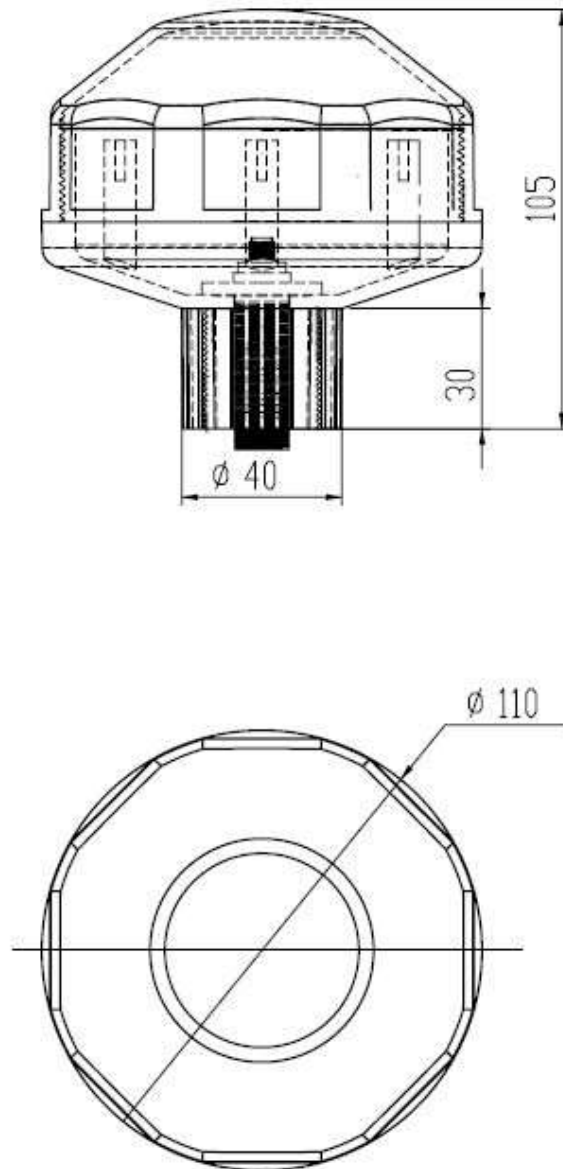
2. LNA

Parameters	Specification	Unit
Frequency Range	L1: 1575.42 ± 1.023 B1: 1561.098±2.046 GLONASS: 1601.02±1.15	MHz
DC Voltage	3.0 ~ 5.0	V
Gain	38 ± 3	dB
VSWR, max	1.5	-
DC Current, typ	28±3	mA

3. OVERALL

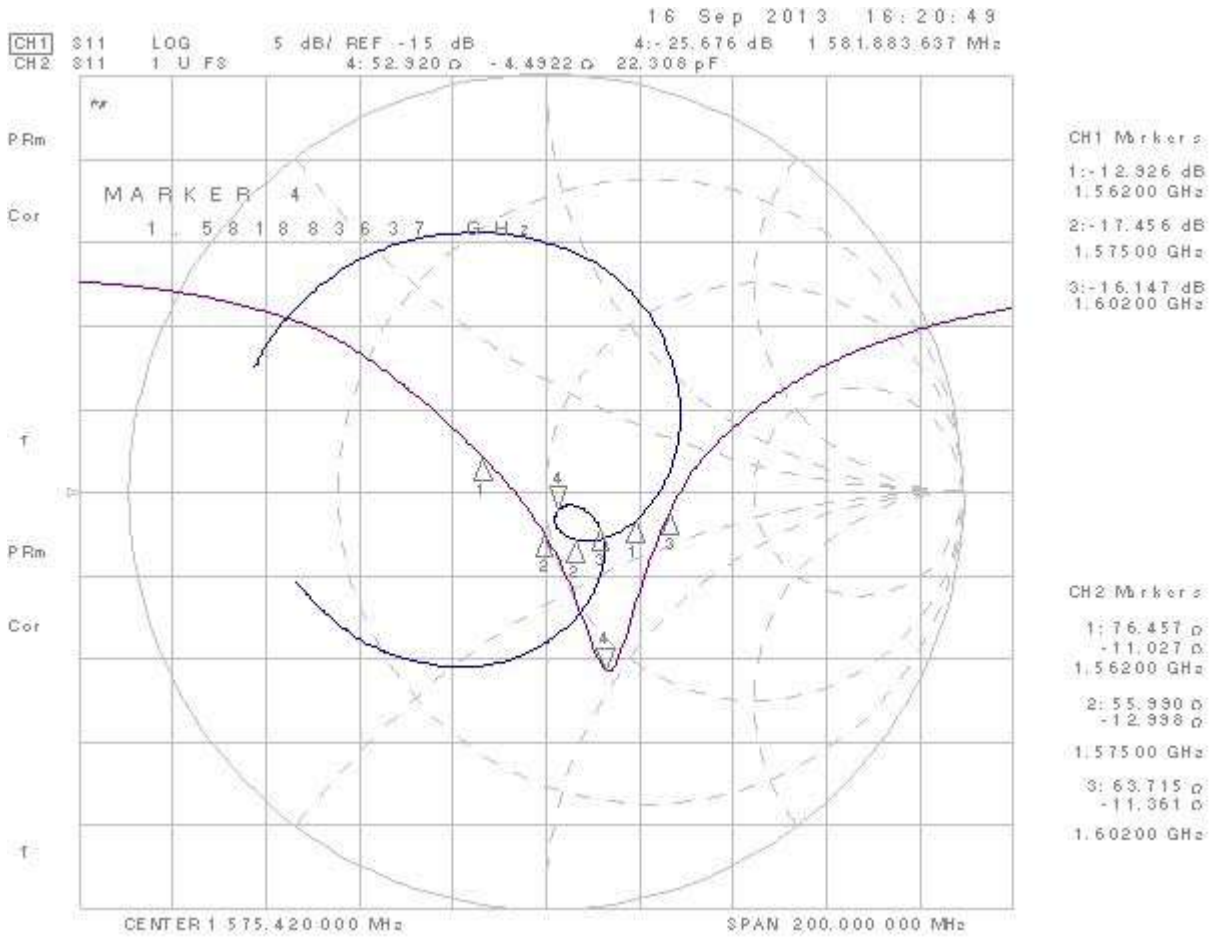
Parameters	Specification	Unit
Frequency Range	L1: 1575.42 ± 1.023 B1: 1561.098±2.046 GLONASS: 1601.02±1.15	MHz
Output VSWR, max	2	-
Gain	37 ± 3	dBic
Impedance	50	Ω
Connector	N type, Female	-

Mechanical Characteristics



Frequency Characteristics

ANTENNA TEST CURVE



May 2016