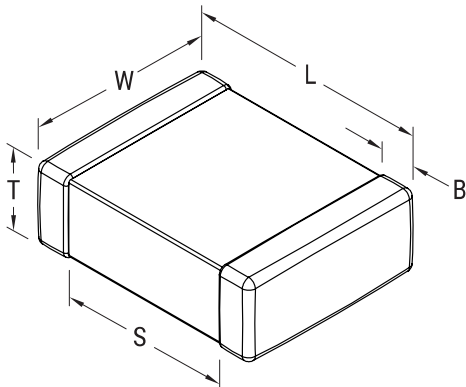


**KEMET Part Number: C0402C279C3GACTU**  
(C0402C279C3GAC7867)

SMD Comm COG, Ceramic, 2.7 pF, +/-0.25 pF, 25 VDC, COG, SMD, MLCC, Ultra-Stable, Low Loss, Class I, 0402



**General Information**

<b>Supplier:</b>	KEMET
<b>Series:</b>	SMD Comm COG
<b>Style:</b>	SMD Chip
<b>Description:</b>	SMD, MLCC, Ultra-Stable, Low Loss, Class I
<b>Features:</b>	Ultra-Stable, Low Loss, Class I
<b>RoHS:</b>	Yes
<b>Termination:</b>	Tin
<b>Marking:</b>	No
<b>Chip Size:</b>	0402

**Dimensions**

<b>L</b>	1mm +/-0.05mm
<b>W</b>	0.5mm +/-0.05mm
<b>T</b>	0.5mm +/-0.05mm
<b>S</b>	0.3mm MIN
<b>B</b>	0.3mm +/-0.1mm

**Specifications**

<b>Capacitance:</b>	2.7 pF
<b>Capacitance Tolerance:</b>	+/-0.25 pF
<b>Voltage DC:</b>	25 VDC
<b>Dielectric Withstanding Voltage:</b>	62.5 V
<b>Temperature Range:</b>	-55/+125C
<b>Temperature Coefficient:</b>	COG
<b>Dissipation Factor:</b>	0.10% 1MHz 25C
<b>Aging Rate:</b>	0% Loss/Decade Hour
<b>Insulation Resistance:</b>	100 GOhms

**Packaging Specifications**

<b>Packaging:</b>	T&R, 180mm, Paper Tape
<b>Packaging Quantity:</b>	10000