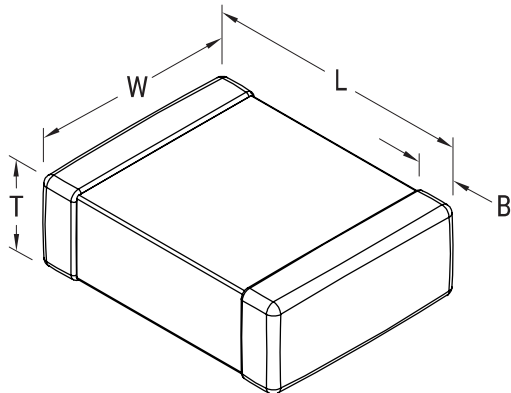


**KEMET Part Number: C1206X333KBRACTU**  
(C1206X333KBRAC7800)

SMD Comm X7R HV Flex, Ceramic, 0.033 uF, 10%, 630 VDC, X7R, SMD, MLCC, FT-CAP, Temperature Stable, 1206



**Dimensions**

<b>L</b>	3.3mm +/-0.4mm
<b>W</b>	1.6mm +/-0.35mm
<b>T</b>	1.7mm +/-0.20mm
<b>B</b>	0.6mm +/-0.25mm

**Packaging Specifications**

<b>Packaging:</b>	T&R, 180mm, Plastic Tape
<b>Packaging Quantity:</b>	2000

**General Information**

<b>Supplier:</b>	KEMET
<b>Series:</b>	SMD Comm X7R HV Flex
<b>Style:</b>	SMD Chip
<b>Description:</b>	SMD, MLCC, FT-CAP, Temperature Stable
<b>Features:</b>	FT-CAP, Temperature Stable
<b>RoHS:</b>	Yes
<b>Termination:</b>	Flexible Termination
<b>Marking:</b>	No
<b>Miscellaneous:</b>	Note: Referee time for X7R dielectric for this part number is 1000 hours
<b>Chip Size:</b>	1206

**Specifications**

<b>Capacitance:</b>	0.033 uF
<b>Capacitance Tolerance:</b>	10%
<b>Voltage DC:</b>	630 VDC
<b>Dielectric Withstanding Voltage:</b>	945 V
<b>Temperature Range:</b>	-55/+125C
<b>Temperature Coefficient:</b>	X7R
<b>Dissipation Factor:</b>	2.50% 1kHz 25C
<b>Aging Rate:</b>	3% Loss/Decade Hour
<b>Insulation Resistance:</b>	3.03 GOhms