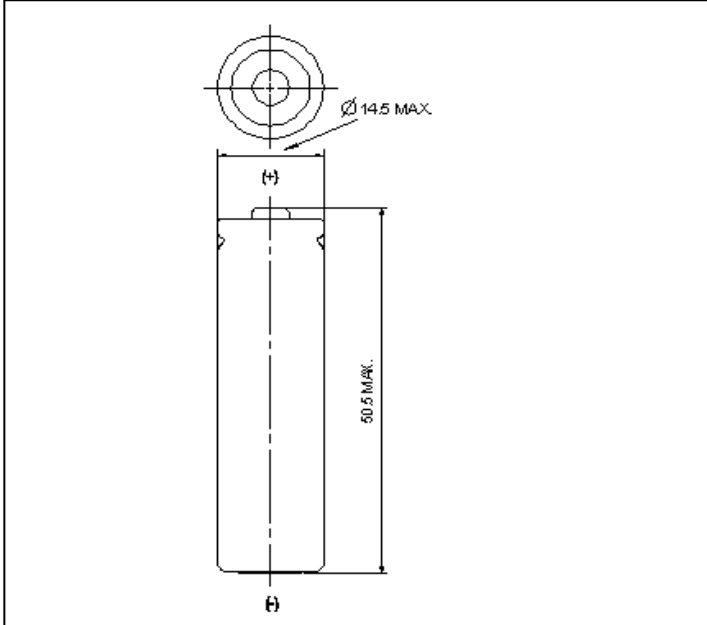


Nickel Metal Hydride Battery Data Sheet

Type AA (High Top) 2700mAh

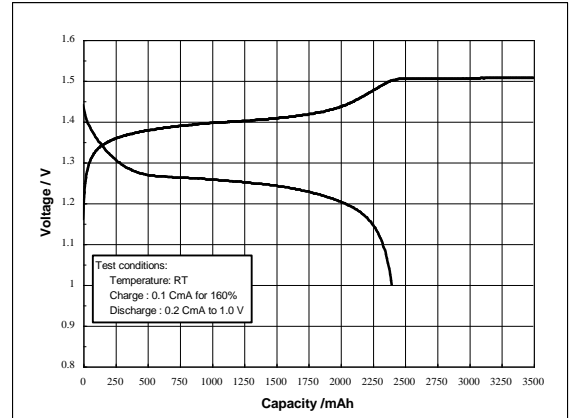
Dimensions (with Tube) (mm)



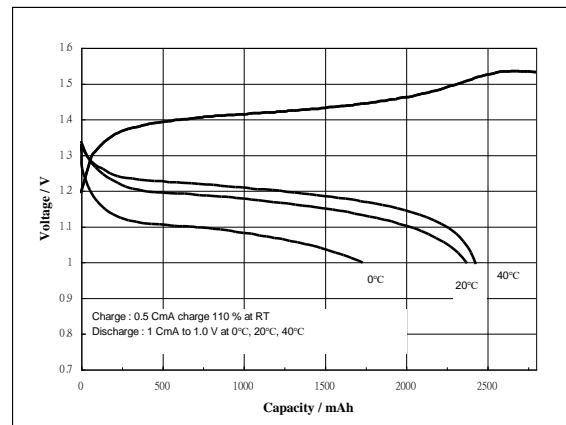
Specifications

Nominal Voltage		1.2V/cell
Capacity	Typical	2700 mAh/0.2 CmA
	Minimum	2400 mAh/0.2 CmA
Charge	Standard	0.1 CmA for 16 hrs.
	Rapid	1.0 CmA for 1.2hrs.(approx.) (With- $\Delta V = 5\sim 10\text{mV/cell}$, Temp., Time charging control)
	Trickle	0.03 CmA (1 month)
Maximum Discharge Current		1.0 CmA
Discharge Cut-off Voltage		1.0 V/cell
Service Life (IEC 285)		500 cycles
Applicable Temperature	Standard Charge	0~+45°C
	Rapid Charge	0~+40°C
	Discharge	-10~+60°C
Storage	Within one year	-20°C~+35°C
	Within 3 months	-20°C~+45°C
	Within 1 month	-20°C~+55°C
Relative Humidity Range		65%±20%
Dimension		D = 14.5 mm max. H = 50.5 mm max.
Weight		Approx. 31.0 g

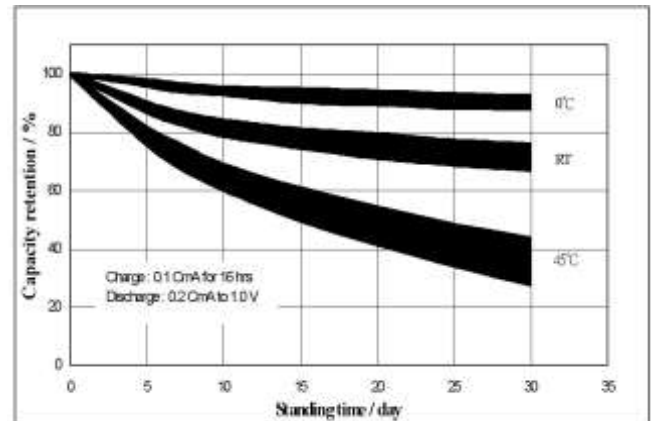
Typical Charge Characteristics



Typical Temperature Characteristics



Typical Self-discharge Characteristics



- This specification is available only for the testing within one month since receipt of batteries.
- Note: Specifications are subject to be modified without prior notice.