

PLEASE CHECK WWW.MOLEX.COM FOR LATEST PART INFORMATION

Part Number: **0190050009**
Status: **Active**
Overview: Standard Quick-Disconnect Terminals
Description: InsulKrimp Fully Insulated Coupler, Female, for 14-16 AWG Wire, Mylar Tape

Documents:

3D Model	Product Specification PS-19902-011-001 (PDF)
Drawing (PDF)	Product Specification PS-19902-015-001 (PDF)
Product Specification PS-19902-008-001 (PDF)	RoHS Certificate of Compliance (PDF)

Agency Certification

CSA	LR18689
UL	E79133

General

Product Family	Quick Disconnects
Series	<u>19005</u>
Crimp Quality Equipment	Yes
Insulated	Fully
Overview	<u>Standard Quick-Disconnect Terminals</u>
Product Name	InsulKrimp
Type	Quick Disconnect
UPC	800753030541

Physical

Barrel Type	Closed
Color - Resin	Blue
Flammability	94V-2
Gender	Female
Glow-Wire Capable	Yes
Insulation	Nylon (PA)
Lock to Mating Part	None
Material - Metal	Brass
Material - Plating Mating	Tin
Material - Plating Termination	Tin
Material - Resin	Nylon
Net Weight	1.359/g
Orientation	Straight
Packaging Type	Adhesive Tape on Reel
Polarized to Mating Part	No
Tab Thickness	0.81mm
Tab Width	6.35mm
Temperature Range - Operating	-65° to +105°C
Wire Insulation Diameter	4.19mm max.
Wire Size AWG	14, 16
Wire Size mm ²	1.30-2.00

Electrical

Voltage - Maximum	600V
-------------------	------

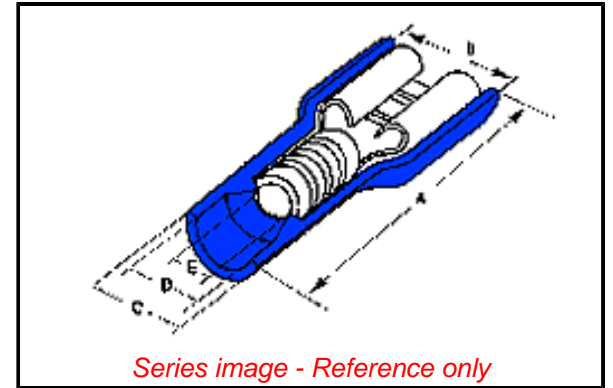
Solder Process Data

Lead-free Process Capability	N/A
------------------------------	-----

Material Info

Engineering Number	BB-2263T
--------------------	----------

Reference - Drawing Numbers



EU ELV

Not Relevant

EU RoHS

Compliant

REACH SVHC

Not Contained Per -
ED/61/2018 (27 June
2018)

Halogen-Free

Status

Low-Halogen

For more information, please visit [Contact US](#)

China ROHS

ELV

RoHS Phthalates

China RoHS

Green Image

Not Relevant

Not Contained

Search Parts in this Series

19005 Series

Use With

19004-0005 , 19004-0008

Product Specification

Sales Drawing

PS-19902-008-001, PS-19902-011-001,
PS-19902-015-001
SD-19005-001

This document was generated on 10/08/2018

PLEASE CHECK WWW.MOLEX.COM FOR LATEST PART INFORMATION