

**PLEASE CHECK WWW.MOLEX.COM FOR LATEST PART INFORMATION**

**Part Number:** [0196060002](#)  
**Status:** **Active**  
**Overview:** Standard Quick-Disconnect Terminals  
**Description:** InsulKrimp Female Quick Disconnect for 10-12 AWG Wire, Box

**Documents:**

[3D Model](#) [Product Specification PS-19902-013-001 \(PDF\)](#)  
[Drawing \(PDF\)](#) [RoHS Certificate of Compliance \(PDF\)](#)  
[Product Specification PS-19902-008-001 \(PDF\)](#)

**Agency Certification**

CSA LR18689  
 UL E79133

**General**

Product Family Quick Disconnects  
 Series [19606](#)  
 Comments Funnel Entry  
 Crimp Quality Equipment Yes  
 Insulated Fully  
 Overview [Standard Quick-Disconnect Terminals](#)  
 Product Name InsulKrimp  
 Type Quick Disconnect  
 UPC 800753117952

**Physical**

Barrel Type Closed  
 Color - Resin Yellow  
 Flammability 94V-2  
 Gender Female  
 Glow-Wire Capable No  
 Insulation Nylon (PA)  
 Lock to Mating Part None  
 Material - Metal Brass  
 Material - Plating Mating Tin  
 Material - Plating Termination Tin  
 Material - Resin Nylon  
 Net Weight 1.228/g  
 Orientation Straight  
 Packaging Type Bag  
 Plating min - Mating 2.540µm  
 Plating min - Termination 2.540µm  
 Polarized to Mating Part No  
 Tab Thickness 0.81mm  
 Tab Width 6.35mm  
 Temperature Range - Operating -65° to +105°C  
 Termination Interface: Style Crimp or Compression  
 Wire Insulation Diameter 6.10mm max.  
 Wire Size AWG 10, 12

**Electrical**

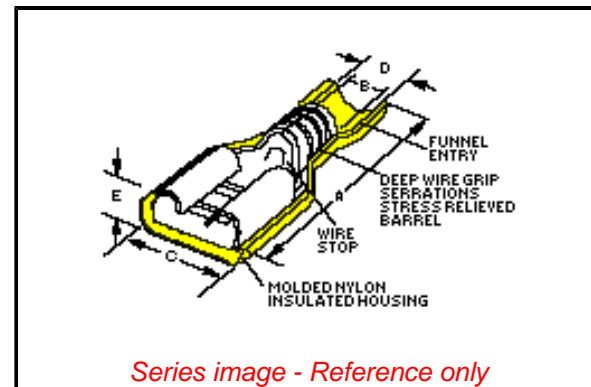
Voltage - Maximum 600V

**Solder Process Data**

Lead-free Process Capability N/A

**Material Info**

Engineering Number C-2293



Series image - Reference only

**EU ELV**

**Not Relevant**

**EU RoHS**

**Compliant**

**REACH SVHC**

Not Contained Per  
 -ED/01/2018 (15  
 January 2018)

**Halogen-Free**

**Status**

**Low-Halogen**

For more information, please visit [Contact US](#)

China ROHS

ELV

RoHS Phthalates

**China RoHS**

Green Image

Not Relevant

Not Contained

**Search Parts in this Series**

[19606 Series](#)

**Reference - Drawing Numbers**

Product Specification

Sales Drawing

PS-19902-008-001, PS-19902-013-001

SD-19003-005

This document was generated on 09/20/2018

**PLEASE CHECK [WWW.MOLEX.COM](http://WWW.MOLEX.COM) FOR LATEST PART INFORMATION**