

PLEASE CHECK WWW.MOLEX.COM FOR LATEST PART INFORMATION

Part Number: [0398800302](#)
Status: **Active**
Overview: Eurostyle Terminal Blocks
Description: 5.08mm Pitch, Beau Eurostyle Low Profile, Fixed Block, Modular, 2 Circuits

Documents:

[3D Model](#) [RoHS Certificate of Compliance \(PDF\)](#)
[Drawing \(PDF\)](#)

Agency Certification

UL E48521

General

Product Family Terminal Blocks
 Series [39880](#)
 Application N/A
 Component Type One Piece
 Overview [Eurostyle Terminal Blocks](#)
 Product Name Eurostyle Fixed Mount
 Type Euro Block
 UPC 800753319059

Physical

Circuits (Loaded) 2
 Entry Angle Horizontal
 Flammability 94V-0
 Lock to Mating Part None
 Net Weight 1.750/g
 Number of Rows 1
 Orientation Vertical
 PC Tail Length 3.50mm
 PCB Retention None
 PCB Thickness - Recommended 2.40mm
 Panel Mount No
 Pitch - Mating Interface 5.08mm
 Pitch - Termination Interface 5.08mm
 Polarized to Mating Part N/A
 Shrouded Fully
 Stackable Yes
 Temperature Range - Operating 105°C
 Wire Size AWG 16, 18, 20, 22, 24, 26, 28, 30
 Wire Size mm² 0.20-1.50

Electrical

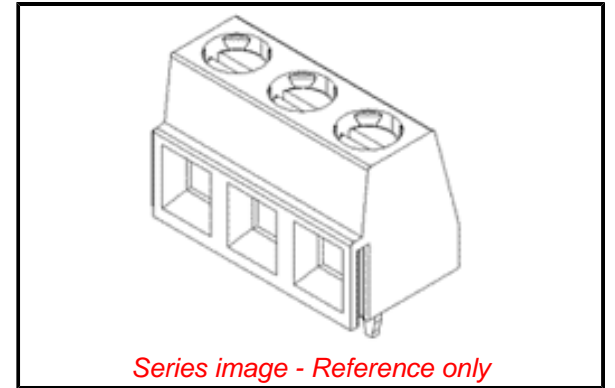
Current - Maximum per Contact 13.5A
 Voltage - Maximum 300V

Material Info

Engineering Number MX-MSB02005-0N

Reference - Drawing Numbers

Sales Drawing SD-39880-003



EU ELV

Not Relevant

EU RoHS

Compliant with Exemption 6(c)

REACH SVHC

Contained Per - ED/61/2018 (27 June 2018)

Lead

Halogen-Free

Status

Low-Halogen

Need more information on product environmental compliance?

Email productcompliance@molex.com
 Please visit the [Contact Us](#) section for any non-product compliance questions.

China ROHS

50 Image

ELV

Not Relevant

Prop65

Duty-To-Declare

PropRisk

Cancer

PropRisk

Developmental toxicity

PropRisk

Reproductive toxicity

PropSub

Lead and its

compounds

RoHS Phthalates

Not Contained

Search Parts in this Series

[39880](#) Series