

**PLEASE CHECK WWW.MOLEX.COM FOR LATEST PART INFORMATION**

**Part Number:** [0511430105](#)  
**Status:** **Active**  
**Description:** 6.50mm Wire-to-Board Terminal Position Assurance (TPA) Retainer, 1 Circuit

**Documents:**

[3D Model](#) [Product Specification PS-51142-003 \(PDF\)](#)  
[Drawing \(PDF\)](#) [RoHS Certificate of Compliance \(PDF\)](#)  
[Product Specification PS-51142-002-001 \(PDF\)](#)

**General**

Product Family	Accessories
Series	<a href="#">51143</a>
Component Type	Terminal Position Assurance
Product Name	CP-6.5, TPA - Term Pos Assurance
UPC	800753323681

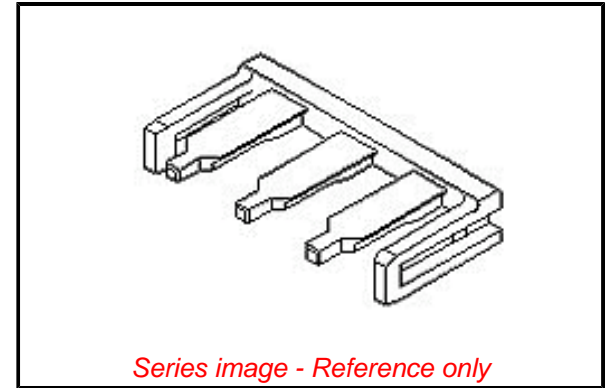
**Physical**

Circuits (Loaded)	1
Circuits (maximum)	1
Color - Resin	Gray
Lock to Mating Part	Yes
Material - Resin	PBTP
Net Weight	191.600/mg
Number of Rows	1
Packaging Type	Bag

**Material Info**

**Reference - Drawing Numbers**

Product Specification	PS-51142-002-001, PS-51142-003
Sales Drawing	SD-51143-**05



**EU ELV**

**Not Relevant**

**EU RoHS**

**Compliant**

**REACH SVHC**

Not Contained Per -  
ED/61/2018 (27 June  
2018)

**Halogen-Free**

**Status**

**Not Low-Halogen**

For more information, please visit [Contact US](#)

China ROHS

ELV

RoHS Phthalates

**China RoHS**

Green Image

Not Relevant

Not Contained

**Search Parts in this Series**

[51143 Series](#)

**Use With**

[51142](#)