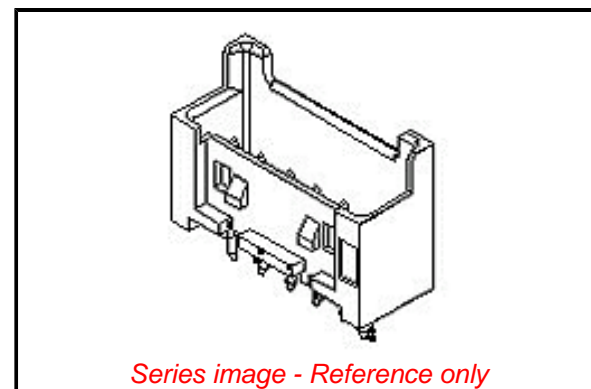


**PLEASE CHECK WWW.MOLEX.COM FOR LATEST PART INFORMATION**

**Part Number:** [0533751110](#)  
**Status:** **Active**  
**Overview:** Mini-Lock Wire-to-Board Connector System  
**Description:** 2.50mm Pitch Mini-Lock Wire-to-Board Header, Vertical, Friction and Positive Lock, 11 Circuits

**Documents:**

|  |   |
|--|---|
| <a href="#">3D Model</a>                                     | <a href="#">Packaging Specification 533759200-SPK-200 (PDF)</a> |
| <a href="#">Drawing (PDF)</a>                                | <a href="#">RoHS Certificate of Compliance (PDF)</a>            |
| <a href="#">Product Specification PS-51103-005-001 (PDF)</a> | <a href="#">Product Literature (PDF)</a>                        |
| <a href="#">Product Specification PS-51163-002-001 (PDF)</a> |   |



**Agency Certification**

|     |         |
|-----|---------|
| CSA | LR19980 |
| UL  | E29179  |

**General**

|                             |  |
|-----------------------------|--|
| Product Family              | PCB Headers  |
| Series                      | <a href="#">53375</a>                                    |
| Application                 | Signal, Wire-to-Board                                    |
| Overview                    | <a href="#">Mini-Lock Wire-to-Board Connector System</a> |
| Product Literature Order No | 987651-9241  |
| Product Name                | Mini-Lock  |
| UPC                         | 800753437517   |

**Physical**

|                                |                |
|--------------------------------|----------------|
| Breakaway                      | No             |
| Circuits (Loaded)              | 11             |
| Circuits (maximum)             | 11             |
| Color - Resin                  | Natural        |
| Durability (mating cycles max) | 30             |
| First Mate / Last Break        | No             |
| Flammability                   | 94V-0          |
| Glow-Wire Capable              | No             |
| Guide to Mating Part           | No             |
| Keying to Mating Part          | None           |
| Lock to Mating Part            | Yes            |
| Material - Plating Mating      | Tin            |
| Material - Plating Termination | Tin            |
| Material - Resin               | Polyester      |
| Net Weight                     | 1186.000/mg    |
| Number of Rows                 | 1              |
| Orientation                    | Vertical       |
| PC Tail Length                 | 3.40mm         |
| PCB Locator                    | Yes            |
| PCB Retention                  | Yes            |
| PCB Thickness - Recommended    | 1.60mm         |
| Packaging Type                 | Bag            |
| Pitch - Mating Interface       | 2.50mm         |
| Polarized to Mating Part       | Yes            |
| Polarized to PCB               | Yes            |
| Shrouded                       | Fully          |
| Stackable                      | No             |
| Surface Mount Compatible (SMC) | No             |
| Temperature Range - Operating  | -40° to +105°C |
| Termination Interface: Style   | Through Hole   |

**EU ELV**

**Not Relevant**

**EU RoHS**

**Compliant**

**REACH SVHC**

Not Contained Per -  
ED/61/2018 (27 June  
2018)

**Halogen-Free**

**Status**

**Not Low-Halogen**

For more information, please visit [Contact US](#)

China ROHS

ELV

RoHS Phthalates

**China RoHS**

Green Image

Not Relevant

Not Contained

**Search Parts in this Series**

[53375 Series](#)

**Mates With**

Mini-Lock Wire-to-Board and Wire-to-Wire  
Crimp Terminal [51103](#) , [51102](#) , [51163](#)

**Electrical**

Current - Maximum per Contact

3.0A

Voltage - Maximum

250V

**Material Info****Reference - Drawing Numbers**

Packaging Specification

533759200-SPK-200

Product Specification

PS-51103-005-001, PS-51163-002-001

Sales Drawing

SD-53375-001

This document was generated on 10/02/2018

**PLEASE CHECK [WWW.MOLEX.COM](http://WWW.MOLEX.COM) FOR LATEST PART INFORMATION**