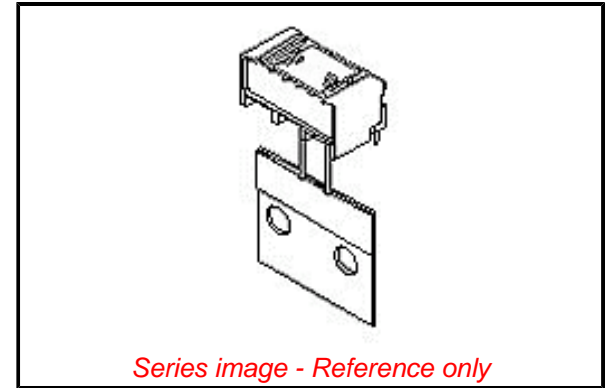


PLEASE CHECK WWW.MOLEX.COM FOR LATEST PART INFORMATION

Part Number: [0534260390](#)
Status: **Active**
Overview: Mini-Lock Wire-to-Board Connector System
Description: 2.50mm Pitch Mini-Lock Wire-to-Board Header, Right-Angle, Friction and Positive Lock, Radial Tape Packaging, 3 Circuits

Documents:

3D Model	Product Specification PS-51163-002-001 (PDF)
Drawing (PDF)	RoHS Certificate of Compliance (PDF)
Product Specification PS-51102-002-001 (PDF)	Product Literature (PDF)
Product Specification PS-51103-005-001 (PDF)	



Agency Certification

CSA	LR19980
UL	E29179

General

Product Family	PCB Headers
Series	53426
Application	Signal, Wire-to-Board
Overview	Mini-Lock Wire-to-Board Connector System
Product Literature Order No	987651-9241
Product Name	Mini-Lock
UPC	800753748279

Physical

Breakaway	No
Circuits (Loaded)	3
Circuits (maximum)	3
Color - Resin	White
Durability (mating cycles max)	30
Flammability	94V-0
Glow-Wire Capable	No
Keying to Mating Part	None
Lock to Mating Part	Yes
Material - Metal	Phosphor Bronze
Material - Plating Mating	Tin
Material - Plating Termination	Tin
Net Weight	563.060/mg
Number of Rows	1
Orientation	Right Angle
PC Tail Length	2.80mm
PCB Locator	Yes
PCB Retention	Yes
PCB Thickness - Recommended	1.60mm
Packaging Type	Radial Tape
Pitch - Mating Interface	2.50mm
Polarized to Mating Part	Yes
Polarized to PCB	No
Shrouded	Fully
Stackable	No
Surface Mount Compatible (SMC)	No
Temperature Range - Operating	-40° to +105°C
Termination Interface: Style	Through Hole

Electrical

Current - Maximum per Contact	3.0A
-------------------------------	------

EU ELV

Not Relevant

EU RoHS

Compliant

REACH SVHC

Not Contained Per - ED/61/2018 (27 June 2018)

Halogen-Free

Status

Not Low-Halogen

For more information, please visit [Contact US](#)

China ROHS

ELV

RoHS Phthalates

China RoHS

Green Image

Not Relevant

Not Contained

Search Parts in this Series

[53426](#) Series

Mates With

[51102](#) Housing with Friction Lock, [51103](#) Housing with Positive Lock, [51163](#), [51164](#) Housing with Positive Lock and Retainer, [50351](#) Crimp Terminal, [50752](#) Crimp Terminal

Voltage - Maximum

250V

Material Info

Reference - Drawing Numbers

Product Specification

PS-51102-002-001, PS-51103-005-001,
PS-51163-002-001

Sales Drawing

SD-53426-002

This document was generated on 09/27/2018

PLEASE CHECK WWW.MOLEX.COM FOR LATEST PART INFORMATION