

PLEASE CHECK WWW.MOLEX.COM FOR LATEST PART INFORMATION

Part Number: [0736510033](#)
Status: **Active**
Overview: [HDM Backplane Connector System](#)
Description: HDM Board-to-Board Daughterboard Power Module, Right-Angle, SMC, 3-Blade Module, 3 Circuits

Documents:

[3D Model](#) [RoHS Certificate of Compliance \(PDF\)](#)
[Drawing \(PDF\)](#)

Agency Certification

CSA LR19980
 UL E29179

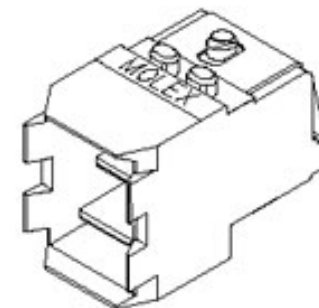
General

Product Family Backplane Connectors
 Series [73651](#)
 Application Daughtercard
 Component Type Power Receptacle
 Overview [HDM Backplane Connector System](#)
 Product Name HDM
 UPC 800755024562

Physical

Circuits (Loaded) 3
 Circuits (maximum) 3
 Color - Resin Black
 Durability (mating cycles max) 250
 First Mate / Last Break No
 Flammability 94V-0
 Guide to Mating Part No
 Keying to Mating Part None
 Material - Metal High Performance Alloy (HPA)
 Material - Plating Mating Gold
 Material - Plating Termination Tin
 Material - Resin High Temperature Thermoplastic
 Net Weight 3.795/g
 Number of Columns 1
 Number of Pairs Open Pin Field
 Number of Rows 3
 Orientation Right Angle
 PC Tail Length 2.00mm
 PCB Locator Yes
 PCB Retention None
 PCB Thickness - Recommended 1.60mm
 Packaging Type Tube
 Pitch - Mating Interface 4.00mm
 Pitch - Termination Interface 3.00mm
 Plating min - Mating 0.762µm
 Plating min - Termination 2.540µm
 Polarized to PCB No
 Stackable No
 Surface Mount Compatible (SMC) No
 Temperature Range - Operating -55° to +105°C
 Termination Interface: Style Through Hole

Electrical



Series image - Reference only

EU ELV

Not Relevant

EU RoHS

Compliant

REACH SVHC

Not Contained Per -
 ED/61/2018 (27 June
 2018)

Halogen-Free

Status

Low-Halogen

For more information, please visit [Contact US](#)

China ROHS

ELV

RoHS Phthalates

China RoHS

Green Image

Not Relevant

Not Contained

Search Parts in this Series

[73651](#) Series

Mates With

[73656](#) HDM Board-to-Board Backplane Power Module

Current - Maximum per Contact	15.0A
Data Rate	1.0 Gbps
Real Signals (per 25mm)	19
Shielded	No
Voltage - Maximum	500V

Material Info

Reference - Drawing Numbers

Sales Drawing	SDA-73651-****
---------------	----------------

This document was generated on 10/22/2018

PLEASE CHECK WWW.MOLEX.COM FOR LATEST PART INFORMATION