

PLEASE CHECK WWW.MOLEX.COM FOR LATEST PART INFORMATION

Part Number: [0878630015](#)
Status: **Active**
Overview: Serial Attached SCSI (SAS) Connectors
Description: 1.27mm Signal Pitch, 0.80mm SCSI Pitch, 1.27mm Power Pitch SAS 6G Receptacle, Vertical, Press fit, 2.70mm Tail Length, 29 Circuits, Lead-Free

Documents:

[3D Model](#) [Packaging Specification PK-87863-001 \(PDF\)](#)
[Drawing \(PDF\)](#) [RoHS Certificate of Compliance \(PDF\)](#)
[Product Specification PS-87863-060-001 \(PDF\)](#)

Agency Certification

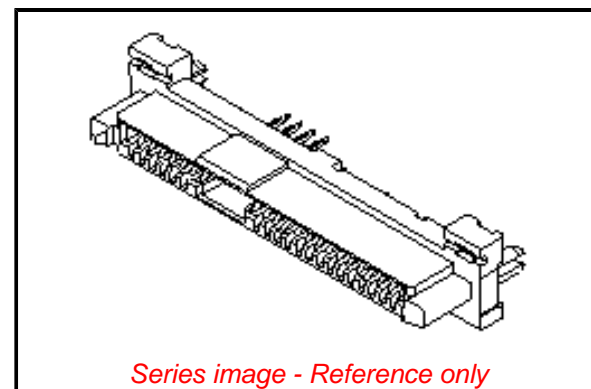
CSA LR19980
 UL E29179

General

Product Family I/O Connectors
 Series [87863](#)
 Application Board-to-Board
 Comments No pick and place cap
 Component Type Receptacle
 Overview [Serial Attached SCSI \(SAS\) Connectors](#)
 Product Name SAS 6G
 Type N/A
 UPC 822348828012

Physical

Boot Color N/A
 Circuits (Loaded) 29
 Circuits (maximum) 29
 Circuits Detail Signal 14, Power 15
 Color - Resin Black
 Durability (mating cycles max) 500
 Flammability 94V-0
 Gender Female
 Keying to Mating Part Yes
 Lock to Mating Part None
 Material - Metal Phosphor Bronze
 Material - Plating Mating Gold
 Material - Plating Termination Tin
 Material - Resin High Temperature Thermoplastic
 Net Weight 1.589/g
 Number of Rows 2
 Orientation Vertical
 PC Tail Length 2.20mm, 2.70mm
 PCB Locator Yes
 PCB Retention Yes
 PCB Thickness - Recommended 2.29mm, 3.18mm
 Packaging Type Tray
 Panel Mount Yes
 Pitch - Mating Interface 0.80mm, 1.27mm
 Pitch - Termination Interface 0.80mm, 1.27mm
 Plating min - Mating 0.762µm
 Plating min - Termination 2.540µm
 Polarized to Mating Part Yes
 Polarized to PCB Yes
 Surface Mount Compatible (SMC) N/A



EU ELV

Not Relevant

EU RoHS

Compliant

REACH SVHC

Not Contained Per -
 ED/61/2018 (27 June
 2018)

Halogen-Free

Status

Low-Halogen

For more information, please visit [Contact US](#)

China ROHS

ELV

RoHS Phthalates

China RoHS

Green Image

Not Relevant

Not Contained

Search Parts in this Series

[87863 Series](#)

Mates With

[87679](#) , [87799](#) , [87703](#) , SFF 8482 Hard
 Disk Drive and Backplane Plug

Temperature Range - Operating	0° to +55°C
Termination Interface: Style	Through Hole - Compliant Pin
Waterproof / Dustproof	No
Wire Size AWG	N/A

Electrical

Current - Maximum per Contact	1.5A
Shielded	No
Voltage - Maximum	30V

Solder Process Data

Lead-free Process Capability	N/A
------------------------------	-----

Material Info**Reference - Drawing Numbers**

Electrical Model Document	EE-87863-001, EE-87863-002, EE-87863-003, EE-87863-004, EE-87863-005, EE-87863-006, EE-87863-007, EE-87863-008
Packaging Specification	PK-87863-001
Product Specification	PS-87863-060-001
Sales Drawing	SD-87863-059

This document was generated on 10/08/2018

PLEASE CHECK WWW.MOLEX.COM FOR LATEST PART INFORMATION