

PLEASE CHECK WWW.MOLEX.COM FOR LATEST PART INFORMATION

Part Number: [0940303911](#)
Status: **Active**
Overview: Standard Quick-Disconnect Terminals
Description: Quick Disconnect, Female, for (1.00-2.50mm²) 14-16 AWG Wire, Accepts 6.35 x 0.81mm Tab

Documents:

Drawing (PDF)	Product Specification PS-94030-002-001 (PDF)
Product Specification PS-94030-001-001 (PDF)	RoHS Certificate of Compliance (PDF)

General

Product Family	Quick Disconnects
Series	94030
Crimp Quality Equipment	Yes
Insulated	No
Overview	Standard Quick-Disconnect Terminals
Product Name	N/A
Type	Quick Disconnect
UPC	800754324946

Physical

Barrel Type	Open
Gender	Female
Glow-Wire Capable	No
Insulation	None
Lock to Mating Part	None
Material - Metal	Brass
Material - Plating Mating	Tin
Net Weight	0.605/g
Orientation	Straight
Packaging Type	Reel
Plating min - Mating	2.032µm
Polarized to Mating Part	Yes
Tab Thickness	0.81mm
Tab Width	6.35mm
Temperature Range - Operating	80°C
Wire Insulation Diameter	2.70-4.30mm
Wire Size AWG	14, 16
Wire Size mm ²	1.00-2.50

Electrical

Voltage - Maximum	250V
-------------------	------

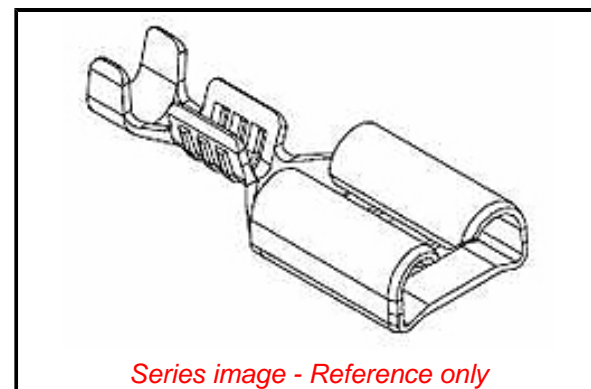
Solder Process Data

Lead-free Process Capability	N/A
------------------------------	-----

Material Info

Reference - Drawing Numbers

Product Specification	PS-94030-001-001, PS-94030-002-001
Sales Drawing	94030-391X-SD



Series image - Reference only

EU ELV

Compliant

EU RoHS

Compliant

REACH SVHC

Not Contained Per - ED/61/2018 (27 June 2018)

Halogen-Free

Status

Low-Halogen

Need more information on product environmental compliance?

Email productcompliance@molex.com
Please visit the [Contact Us](#) section for any non-product compliance questions.

China ROHS	Green Image
ELV	Compliant
RoHS Phthalates	Not Contained

Search Parts in this Series

[94030](#) Series

Use With

[94090-4080](#) , [94090-4100](#) , [94090-4120](#) , [94090-4140](#) , [94090-4150](#) , [94090-4170](#) , [94090-4180](#) , [94090-4200](#) , [94503-0200](#) , [94503-0210](#) , [94503-0800](#)

Application Tooling | FAQ

Tooling specifications and manuals are found by selecting the products below. Crimp Height Specifications are then contained in the Application Tooling Specification document.

Global

Description	Product #
Hand Crimp Tool	0638271200
Quick Disconnect,	

This document was generated on 08/16/2018

PLEASE CHECK WWW.MOLEX.COM FOR LATEST PART INFORMATION