

PLEASE CHECK WWW.MOLEX.COM FOR LATEST PART INFORMATION

Part Number: **0731000016**
Status: **Active**
Overview: BNC Miniature RF Connectors and Cable Assemblies
Description: 75 Ohms, BNC Right-Angle Plug, Crimp, RG-59 and RG-62 Cable, Solder Center Contact Termination, One Piece Per Bag

Documents:

[Drawing \(PDF\)](#) [RoHS Certificate of Compliance \(PDF\)](#)

General

Product Family	RF/Coax Connectors
Series	<u>73100</u>
Overview	<u>BNC Miniature RF Connectors and Cable Assemblies</u>
Product Name	BNC
Style	Cable
Type	Miniature
UPC	756054334799
Wire/Cable Type	RG-59, RG-62

Physical

Gender	Plug
Keying to Mating Part	None
Net Weight	18.426/g
Orientation	Right Angle
PCB Mounting	N/A
Packaging Type	Bag
Panel Mount	No
Panel Mount Method	N/A
Reverse Polar	No

Electrical

Frequency	4 GHz
Impedance	75Ω

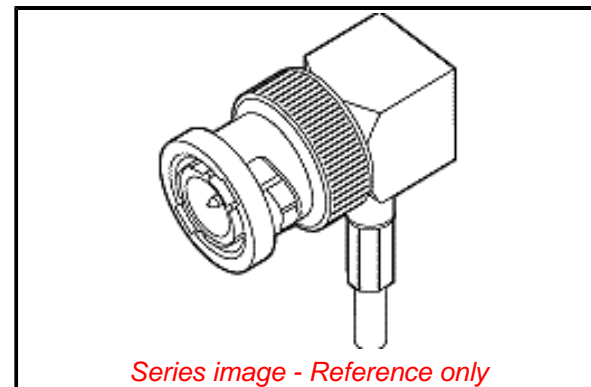
Solder Process Data

Lead-freeProcess Capability	N/A
-----------------------------	-----

Material Info

Reference - Drawing Numbers

Sales Drawing	SD-73100-0016, SD-73171-422, SDA-73100-0016
---------------	---



Series image - Reference only

EU ELV

Not Relevant

EU RoHS

Compliant with Exemption 6(c)

REACH SVHC

Not Contained Per -ED/01/2018 (15 January 2018)

Halogen-Free

Status

Low-Halogen

Need more information on product environmental compliance?

Email productcompliance@molex.com
Please visit the [Contact Us](#) section for any non-product compliance questions.

China ROHS	50 Image
ELV	Not Relevant
Prop65	Duty-To-Declare
PropRisk	Cancer
PropRisk	Developmental toxicity
PropRisk	Reproductive toxicity
PropSub	Lead and its compounds
RoHS Phthalates	Not Contained

Search Parts in this Series

[73100 Series](#)

PLEASE CHECK WWW.MOLEX.COM FOR LATEST PART INFORMATION