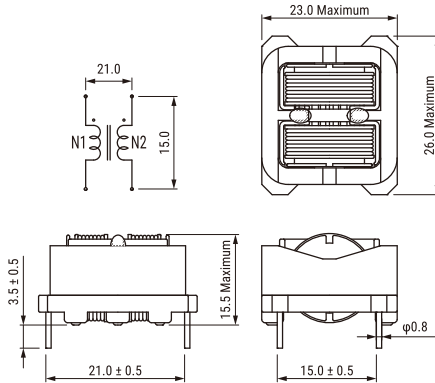


KEMET, SSHB21H, Commercial Grade, 0.11 H



**Dimensions**

|           |                |
|-----------|----------------|
| <b>L</b>  | 26mm MAX       |
| <b>T</b>  | 23mm MAX       |
| <b>H</b>  | 15.5mm MAX     |
| <b>S</b>  | 15mm +/-0.5mm  |
| <b>S1</b> | 21mm NOM       |
| <b>LL</b> | 3.5mm +/-0.5mm |
| <b>F</b>  | 0.8mm NOM      |

**Packaging Specifications**

|                            |      |
|----------------------------|------|
| <b>Weight:</b>             | 14 g |
| <b>Packaging:</b>          | Tray |
| <b>Packaging Quantity:</b> | 360  |

**General Information**

|                       |  |
|-----------------------|--|
| <b>Series:</b>        | SSHB21H  |
| <b>Style:</b>         | Through-Hole Choke   |
| <b>Description:</b>   | Common Mode Filter, SS Coils, SSHB21H, High Impedance Type |
| <b>RoHS:</b>          | Yes  |
| <b>Miscellaneous:</b> | Temperature Rise Maximum: 60 K                             |
| <b>Notes:</b>         | Marking: R05 Lot No.                                       |

**Specifications**

|                               |                 |
|-------------------------------|-----------------|
| <b>Inductance:</b>            | 110 mH (10 kHz) |
| <b>Temperature Range:</b>     | -25/+120C       |
| <b>Rated Temperature:</b>     | 120C            |
| <b>Current:</b>               | 0.5 Amps        |
| <b>Voltage AC:</b>            | 250 VAC         |
| <b>Withstanding Voltage:</b>  | 2400 VAC MAX    |
| <b>Insulation Resistance:</b> | 100 MOhms       |