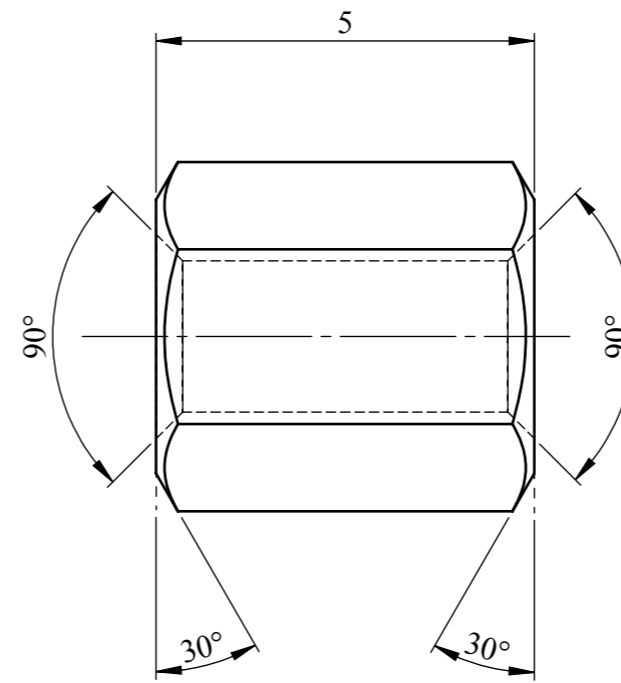
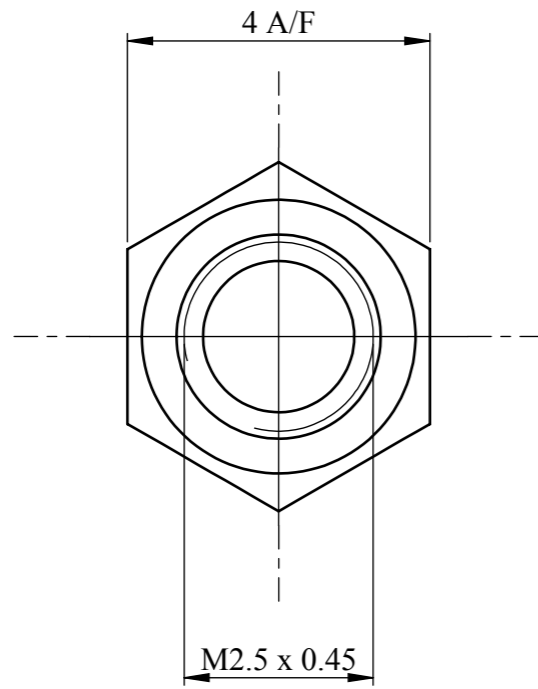


DEBUR AND BREAK SHARP EDGES

DO NOT SCALE DRAWING

REVISION



A

DRAWN - 07/12/15

NOTES



DESIGN RIGHT. TR FASTENINGS LTD, 2003
 UNDER NO CIRCUMSTANCES MUST THIS
 DRAWING BE COPIED OR DISCLOSED,
 WITHOUT FIRST OBTAINING WRITTEN
 AUTHORITY.

UNLESS OTHERWISE SPECIFIED:
 DIMENSIONS ARE IN MILLIMETERS
 SURFACE FINISH:
 TOLERANCES:

ISO 2768 m

NAME	DATE
DRAWN MARTIN ELLIOTT	07/12/15
CHK'D	
APPV'D	

CUSTOMER PART No

MATERIAL:

STEEL 11SnPb30

HEAT TREATMENT

N/A

FINISH:

ZINC PLATED A3F

TITLE:

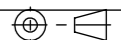
M2.5 x 5 F/F/ HEXAGON SPACER

DWG NO.

FAHSSFFM2.5-5-4

A3

PROJECTION



SHEET 1 OF 1