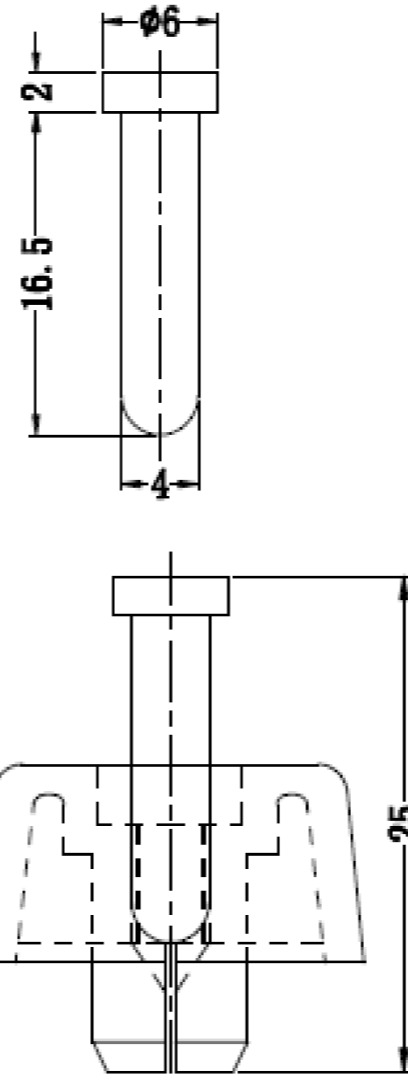
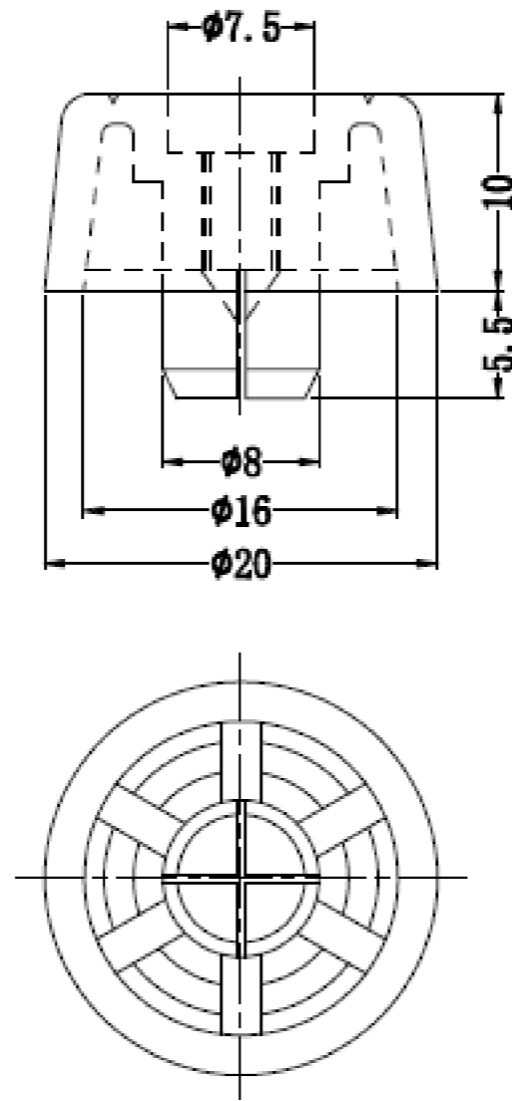


DEBUR AND BREAK SHARP EDGES

DO NOT SCALE DRAWING

REVISION



NOTES

- 1) MATERIAL TPR UL94 HB (BODY)
PP UL94 HB (PIN)
- 2) COLOUR - BLACK
- 3) ROHS COMPLIANT
- 4) HOLE DIA. - 7.75mm
- 5) PANEL THICKNESS - 0.8 - 1.5mm



DESIGN RIGHT. TR FASTENINGS LTD, 2003
UNDER NO CIRCUMSTANCES MUST THIS
DRAWING BE COPIED OR DISCLOSED,
WITHOUT FIRST OBTAINING WRITTEN
AUTHORITY.

UNLESS OTHERWISE SPECIFIED:
DIMENSIONS ARE IN MILLIMETERS
SURFACE FINISH:
TOLERANCES:

NAME		DATE
DRAWN	MARTIN ELLIOTT	09/06/14
CHK'D		
APPV'D		

PART No
TRSFF-018

MATERIAL:

SEE NOTES

HEAT TREATMENT

N/A

FINISH:

N/A

TITLE:

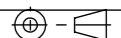
SOFT FAST FOOT

DWG NO.

TRSFF-018

A3

PROJECTION



SHEET 1 OF 1

A DRAWN 09/06/14