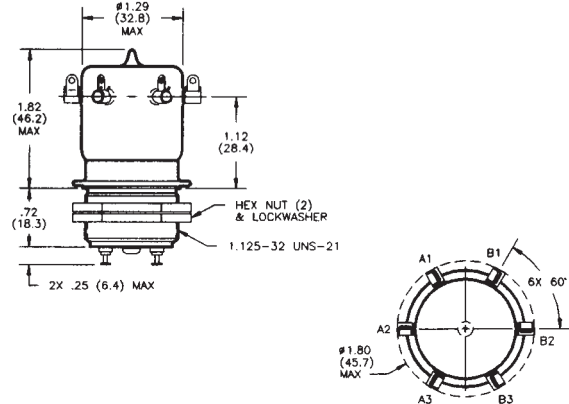


## H-14/16 Series Make & Break Load Switching — 12 kV Relays

### H-14

#### Product Facts for H-14

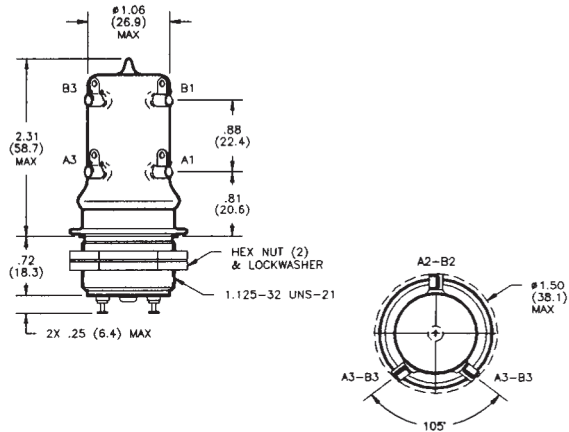
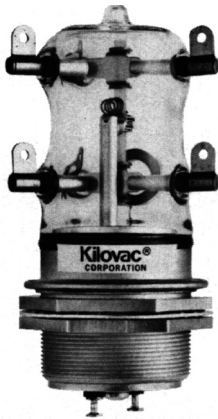
- Double pole, double throw contacts
- Vacuum dielectric for power switching low current loads
- 30 Amps DC continuous current rating
- Corona shield high voltage terminals available
- Meets requirements of MIL-R-83725



### H-16

#### Product Facts for H-16

- 12 kV rating; isolates 5 kV at 32 MHz
- Vacuum dielectric for power switching low current loads
- Double pole, double throw contacts
- Widely used as a transmit/receive switch
- Meets requirements of MIL-R-83725



#### Product Specifications for H-14 and H-16

**Contact Arrangement** — DPDT

**Contact Form** — 2C

**Test Voltage, DC or 60 Hz (Peak)** — 15 kV

**Rated Operating Voltage (Peak)** —

DC or 60 Hz — 12 kV

2.5 MHz — 10 kV

16 MHz — 8 kV

32 MHz — 5 kV

**Continuous Carry Current, Max.** —

DC or 60 Hz — 30 A

2.5 MHz — H-14 — 15 A

H-16 — 10 A

16 MHz — H-14 — 10 A

H-16 — 6 A

32 MHz — H-14 — 8 A

H-16 — 4 A

Coil Hi-Pot (Vrms, 60 Hz) — 500 A

**Contact Capacitance** —

Between Open Contacts — 1 pF

Open Contacts to Ground — 2.5 pF

**Contact Resistance, Max.** —

H-14 — 0.015 ohm

H-16 — 0.03 ohm

**Operate Time, Max.** — 20 ms

**Release Time, Max.** — 20 ms

**Shock, 11ms, 1/2 Sine (Peak)** — 20 g

**Vibration** —

Peak — 10 g (55 to 500 Hz)

**Operating Ambient Temperature Range** — -55°C to +125°C

**Mechanical Life (Operations x 10<sup>6</sup>)** —

H-14 — 1 million cycles

H-16 — 500,000 cycles

**Weight, Nominal** —

H-14 — 226.8 g (8 oz.)

H-16 — 170.1 g (6 oz.)

#### Coil Data

Nominal Volts DC	12 Vdc	26.5 Vdc	115 Vdc
Pickup, Max.	8 Vdc	16 Vdc	80 Vdc
Dropout	.5-5 Vdc	1-10 Vdc	5-50 Vdc
Coil Resistance ( $\pm 10\%$ )	24 $\Omega$	120 $\Omega$	2000 $\Omega$

Ratings listed are for 25°C, sea level conditions

#### Ordering Information

**Sample Part Number** ►

**Series:** \_\_\_\_\_ **H- 14 /12Vdc**

**Model:** \_\_\_\_\_ **14 16**

**Coil Voltage:** \_\_\_\_\_

Blank = 26.5 Vdc

/12Vdc = 12 Vdc

/115Vdc = 115 Vdc

For factory-direct application assistance, dial 800-253-4560, ext. 2055, or 805-220-2055.