

# Tantalum Product - TPS Automotive Low ESR



## PRODUCT SPECIFICATIONS :

Nominal Capacitance @ 120Hz	22 $\mu$ F
Capacitance Tolerance (*)	K = $\pm$ 10%; M = $\pm$ 20%
Rated Voltage DC ( $V_R$ )	$\leq$ 85°C      20 V
Category Voltage DC ( $V_C$ )	$\leq$ 125°C      13 V
Surge Voltage ( $V_S$ )	$\leq$ 85°C      26 V $\leq$ 125°C      16 V
Temperature Range	-55°C to +125°C
Direct Leakage Current max. @ $V_R$	4.4 $\mu$ A
Dissipation Factor max. @ 120Hz	6 %
ESR max. @ 100kHz	0.4 Ohm
Typical weight (B case)	68 mg



Moisture sensitivity level: meets MSL 1

Reflow specification: meets J-STD-020 standard

Meets requirements of AEC-Q200

100% surge current tested

All technical data relates to an ambient temperature of +25°C, Capacitance and DF are measured at 120Hz, 0.5RMS with DC bias of 2.2V. DCL is measured at rated voltage after 5 minutes

The EIA and CECC standards for low ESR solid Tantalum capacitors allow an ESR movement to 1.25 times catalogue limit post mounting AVX reserves the rights to supply higher voltage rating in the same case size, to the same reliability standards

RMS value of Ripple Current (mA) @100kHz			RMS value of Ripple Voltage (mV) @100kHz		
25°C	85°C	125°C	25°C	85°C	125°C
461	415	184	184	166	74

## HOW TO ORDER:

TPS

Type

B

Case code

226

Capacitance Value

\*

Cap. Tolerance

020

Rated DC

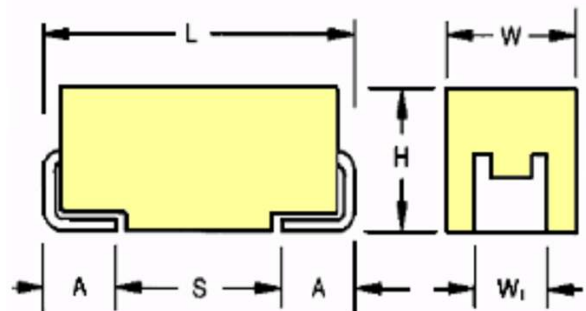
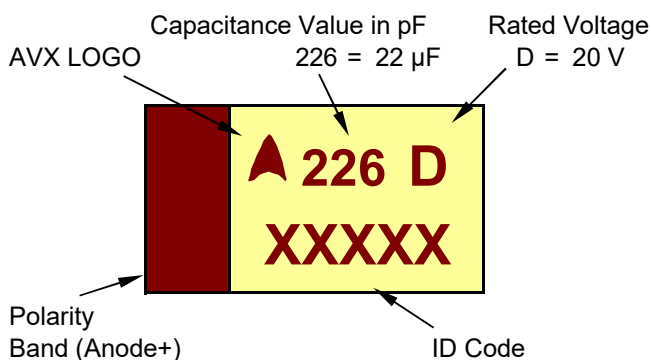
#

Packaging Automotive  
Pure Tin  
T = 7" Reel  
U = 13" Reel

0400

ESR in mOhms

## DRAWING AND DIMENSIONS:



# Tantalum Product - TPS Low ESR Series



## CASE DIMENSIONS: millimetres

Case		L ±0.2	W +0.2 -0.1	H +0.2 -0.1	A +0.3 -0.2	S min.	W1 ±0.2
EIA	AVX						
3528-21	B	3.5	2.8	1.9	0.8	1.4	2.2

## PACKAGING INFORMATION:

Reel Size (#)	T = 7" Reel Automotive Pure Tin	U = 13" Reel Automotive Pure Tin
Quantity	2000	8000
Tape Width	8 mm	8 mm

### AMERICAS

AVX Greenville, SC  
Tel: 864-967-2150

### EUROPE

AVX Limited, England  
Tel: +44-1252-770000

AVX S.A.S., France  
Tel: +33-1-69-18-46-00

AVX GmbH, Germany  
Tel: +49-0811-95949-0

AVX SRL, Italy  
Tel: +39-02-614-571

AVX Czech Republic  
Tel: +420-57-57-57-521

AVX/ELCO UK  
Tel: +44-1638-675000

ELCO Europe GmbH  
Tel: +49-2741-299-0

AVX S.A., Spain  
Tel: +34-91-63-97-197

AVX Benelux  
Tel: +31-187-489-337

### ASIA-PACIFIC

AVX/Kyocera (S) Pte Ltd, Singapore  
Tel: +65-6286-7555

AVX/Kyocera, Asia Ltd., Hong Kong  
Tel: +852-2363-3303

AVX/Kyocera Yuhan Hoesa, South Korea  
Tel: +82-2785-6504

AVX/Kyocera HK Ltd., Taiwan  
Tel: +886-2-2656-0258

AVX/Kyocera (M) Sdn Bhd, Malaysia  
Tel: +60-4228-1190

AVX/Kyocera International Trading  
Co. Ltd., Shanghai  
Tel: +86-21-3255-1933

AVX/Kyocera Asia Ltd., Shenzhen  
Tel: +86-755-3336-0615

AVX/Kyocera International Trading Co. Ltd.,  
Beijing  
Tel: +86-10-6588-3528

AVX/Kyocera India Liaison Office  
Tel: +91-80-6450-0715

### ASIA-KED

(KYOCERA Electronic Devices)

KED Hong Kong Ltd.  
Tel: +852-2305-1080/1223

KED Hong Kong Ltd., Shenzhen  
Tel: +86-755-3398-9600

KED Company Ltd., Shanghai  
Tel: +86-21-3255-1833

KED Hong Kong Ltd., Beijing  
Tel: +86-10-5869-4655

KED Taiwan Ltd.  
Tel: +886-2-2950-0268

KED Korea Yuhan Hoesa, South Korea  
Tel: +82-2-783-3604/ 6126

KED (S) Pte Ltd., Singapore  
Tel: +65-6509-0328

Kyocera Corporation, Japan  
Tel: +81-75-604-3449

Issued by: AVX Technical Marketing Team  
Tantalum Division  
Technical assistance: [Tech-info@avx.com](mailto:Tech-info@avx.com)  
More details at: [www.avx.com](http://www.avx.com)

Version: 11/2018

**NOTICE:** Specifications are subject to change without notice. Contact your nearest AVX Sales Office for the latest specifications. Specifications are typical and may not apply to all applications. All statements, information and data given herein are believed to be accurate and reliable, but are presented without guarantee, warranty, or responsibility of any kind, expressed or implied. Statements or suggestions concerning possible use of our product are made without responsibility or warranty that any such use is free of patent infringement and are not recommendations to infringe any patent. The user should not assume that all safety measures are indicated or that other measures are indicated or that measures may not be required. All samples are provided for testing purposes only. Provision of samples shall not constitute any offer of sale nor shall it constitute any commitment of any kind. Samples may not be incorporated in any product offered for commercial sale. Recipient assumes all risks and liability resulting from such testing. Samples are for the exclusive use of the direct recipient and shall not be sold, lent, given, or otherwise transferred to any other party. All unused samples shall be destroyed or returned to AVX.