

- Sub-base interfaces to ISO 5599/1
- Available for sizes #1, #2, #3 and #4
- Side ported, bottom ported and manifold types available
- Overported bases available

G¹/₄ - G1**Technical Data****Medium:**

Compressed air, filtered, lubricated and non-lubricated

Mounting:

Through-holes in sub-base, threaded

Port Sizes:

G¹/₄ ISO #1

G³/₈ ISO #2 and ISO #1 overported (exhaust ports only)

G¹/₂ ISO #3 and ISO #2 overported

G³/₄ ISO #4 and ISO #3 overported

G1 ISO #4 overported

Operating Pressure:

See individual valve details

Operating Temperature:

See individual valve details

Materials

Pressure diecast aluminium, steel nuts and bolts, nitrile rubber seals

Ordering Information

To order, quote model number from table overleaf, e.g. M/P19137 for the Bottom Ported ISO #3 sub-base. For manifold sub-bases, quote the required number of bases together with one End Plate Assembly per manifold, e.g. 5 off CQM/22253/3/21 together with 1 off CQM/22253/3/22 for a manifold of 5 valves. Manifold bases and End Plate Assemblies are supplied complete with the appropriate seals, nuts and bolts. The interface gaskets and body to base fixing bolts are supplied with the individual valve bodies.



General Information

Model	Type	Interface	Port size	Weight (kg)
M/P19126	Side ported	#1	G ¹ / ₄	0,17
M/P19132	Side ported	#2	G ³ / ₈	0,27
M/P19138	Side ported	#3	G ¹ / ₂	0,36
M/P19144	Side ported	#4	G ³ / ₄	0,96
M/P29998	Side ported, overported	#1	G ¹ / ₄ inlet/outlets, G ³ / ₈ exhaust	0,17
M/P29999	Side ported, overported	#2	G ¹ / ₂	0,27
M/P32000	Side ported, overported	#3	G ³ / ₄	0,36
M/P32001	Side ported, overported	#4	G1	0,96
M/P19125	Bottom ported	#1	G ¹ / ₄	0,20
M/P19131	Bottom ported	#2	G ³ / ₈	0,31
M/P19137	Bottom ported	#3	G ¹ / ₂	0,42
M/P19143	Bottom ported	#4	G ³ / ₄	0,73
CQM/22152/3/21	Manifold	#1	G ¹ / ₄	0,24
CQM/22253/3/21	Manifold	#2	G ³ / ₈	0,27
CQM/22354/3/22	Manifold	#3	G ¹ / ₂	0,71
CQM/22456/3/21	Manifold	#4	G ³ / ₄	1,35
CQM/22152/3/22	End Plate	#1	G ¹ / ₄	0,22
CQM/22253/3/22	End Plate	#2	G ³ / ₈	0,34
CQM/22354/3/22	End Plate	#3	G ¹ / ₂	0,67
CQM/22456/3/22	End Plate	#4	G ³ / ₄	0,94

Warning

These products are intended for use in industrial compressed air systems only. Do not use these products where *pressures* and *temperatures* can exceed those listed under '**Technical Data**'.

Before using these products with fluids other than those specified, for non-industrial applications, life-support systems, or other applications not within published specifications, consult NORGREN MARTONAIR.

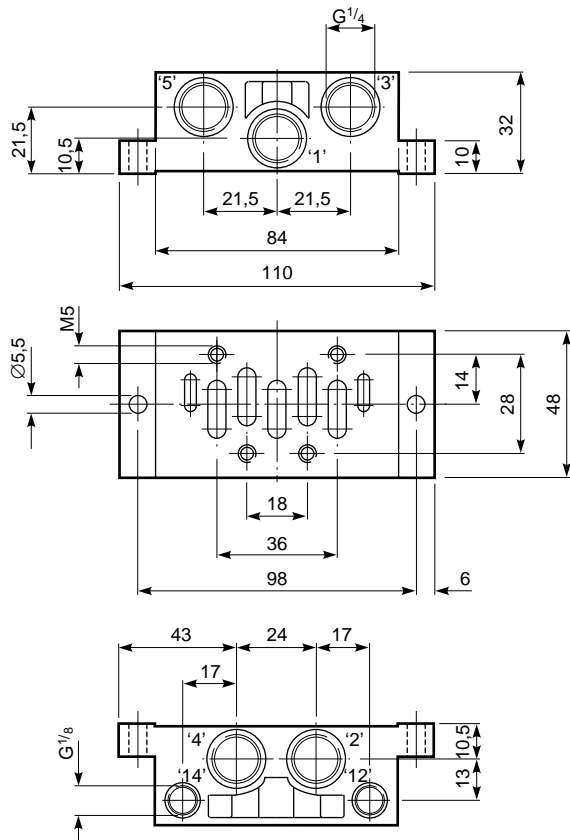
Through misuse, age, or malfunction, components used in fluid power systems can fail in various modes. The system designer is warned to consider the failure modes of all component parts used in fluid power systems and to provide adequate safeguards to prevent personal injury or damage to equipment in the event of such failure.

System designers must provide a warning to end users in the system instructional manual if protection against a failure mode cannot be adequately provided.

System designers and end users are cautioned to review specific warnings found in instruction sheets packed and shipped with these products.

Sub-bases for ISO #1 valves

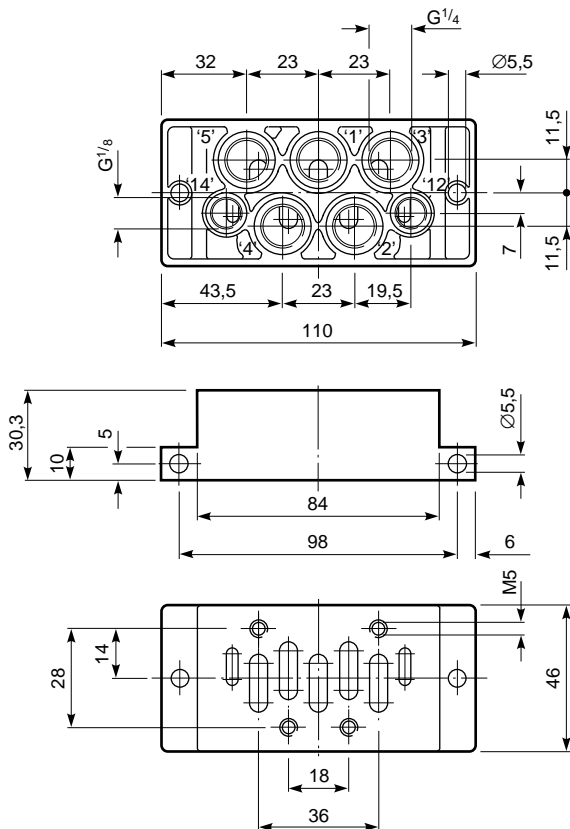
Side Ported Sub-base



Model Number: **M/P19126**

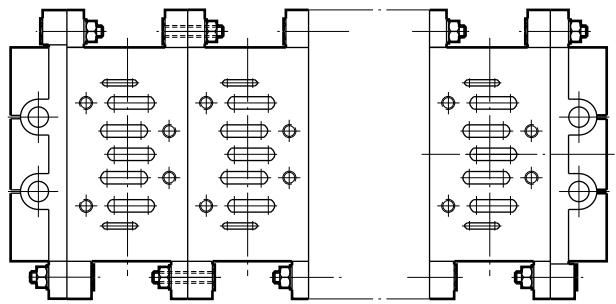
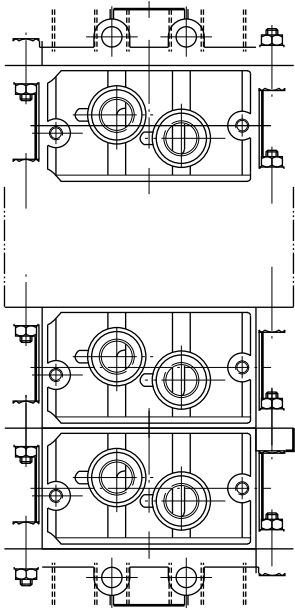
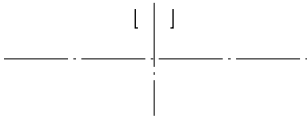
Type: Single sub-base with ports on the sides

Bottom Ported Sub-base



Model Number: **M/P19125**

Type: Single sub-base with all ports on the underside



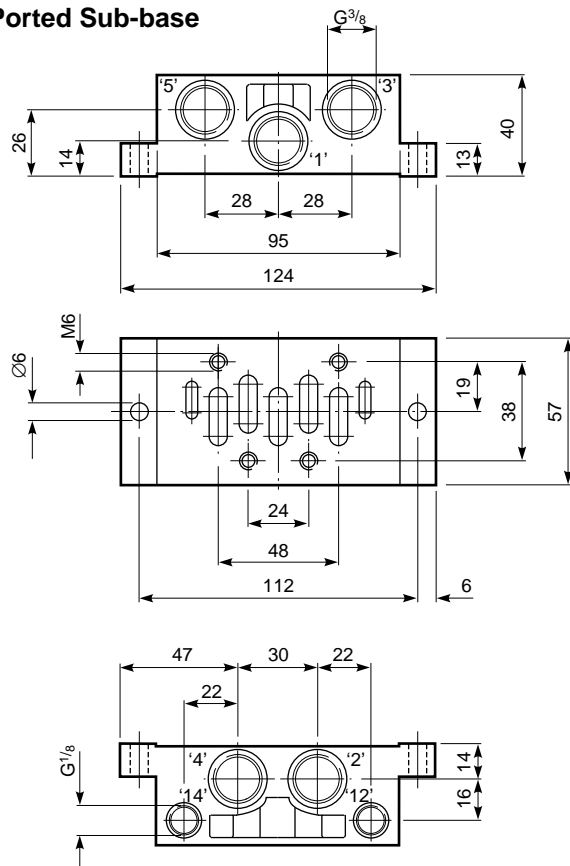


Sub-bases for ISO #2 valves

Side Ported Sub-base

Model Number: **M/P19132**

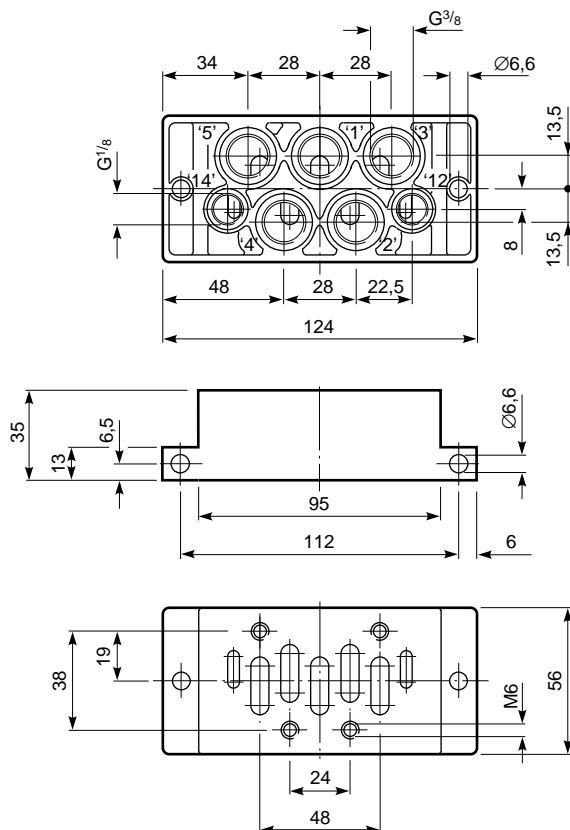
Type: Single sub-base with ports on the sides



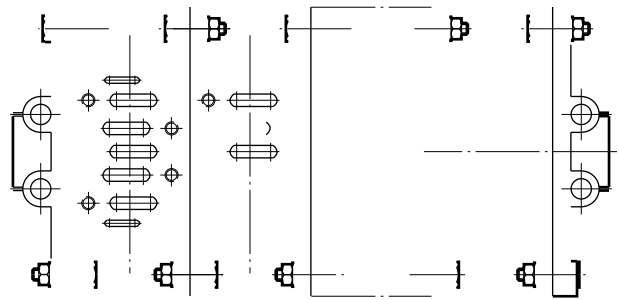
Bottom Ported Sub-base

Model Number: **M/P19131**

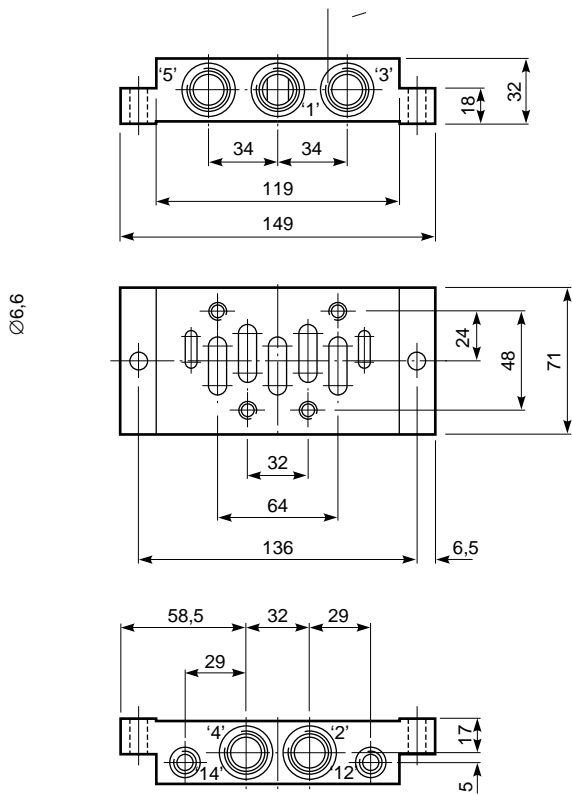
Type: Single sub-base with all ports on the underside



Manifold Sub-base

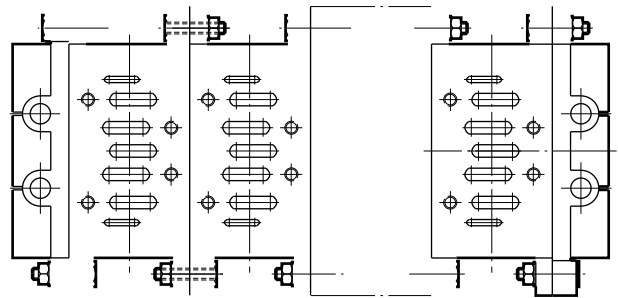


Sub-bases for ISO #3 valves



Bottom Ported Sub-base

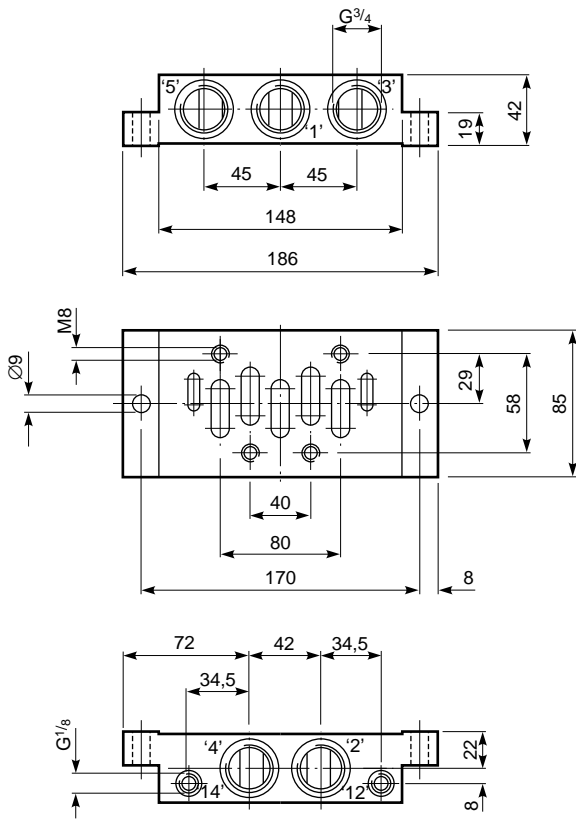
Manifold Sub-base



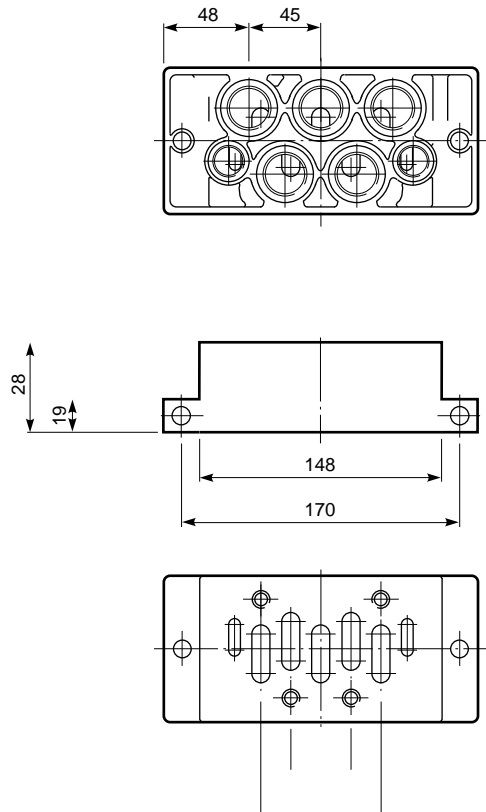
Sub-bases for ISO #4 valves

Model Number: **M/P19144**

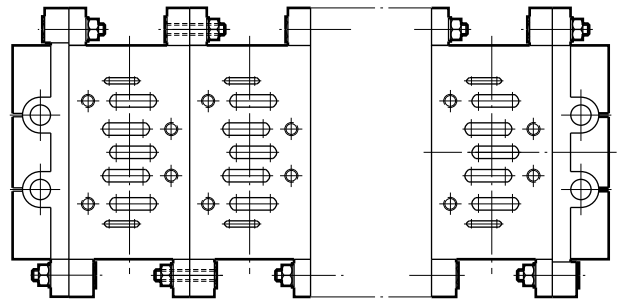
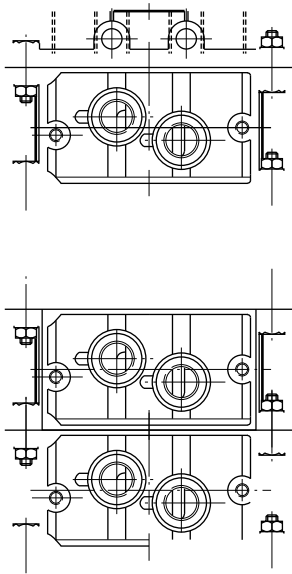
Type: Single sub-base with ports on the sides



Bottom Ported Sub-base



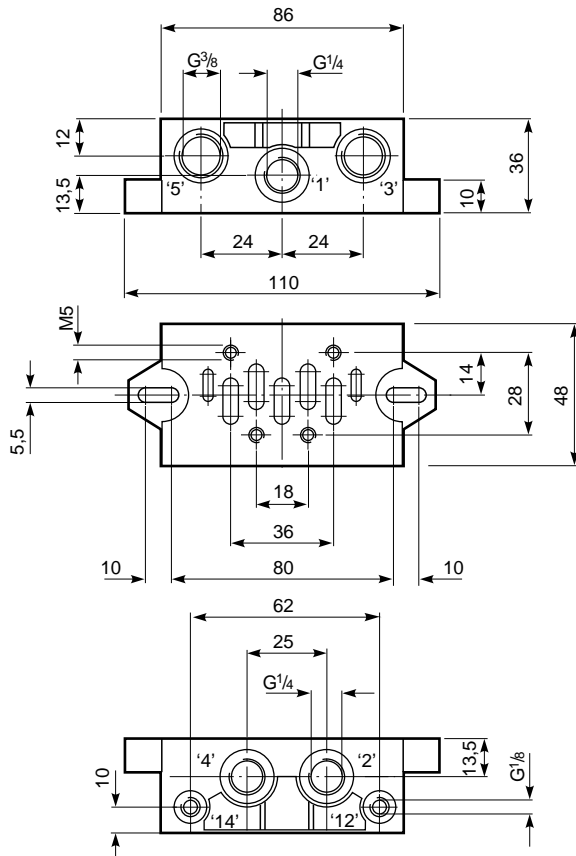
Manifold Sub-base





Sub-bases for ISO #1 valves

Overported Sub-base

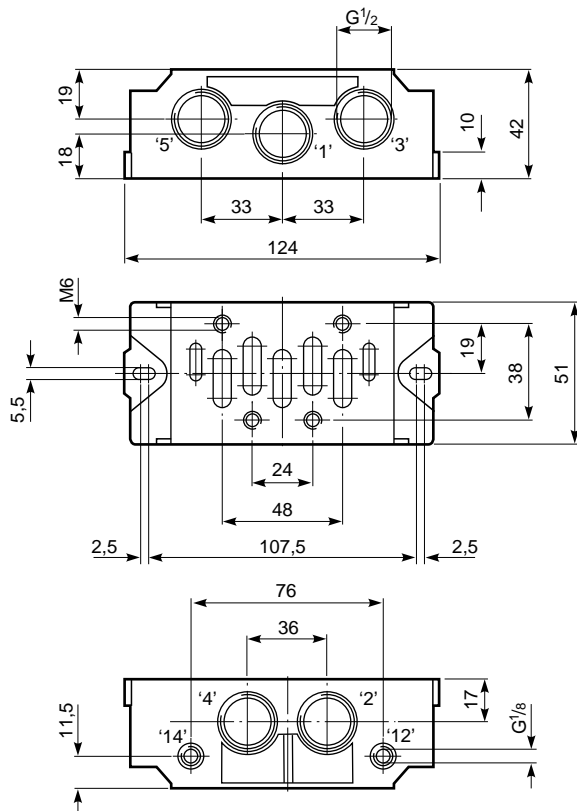


Model Number: **M/P29998**

Type: Overported single sub-base with ports on the sides

Sub-bases for ISO #2 valves

Overported Sub-base



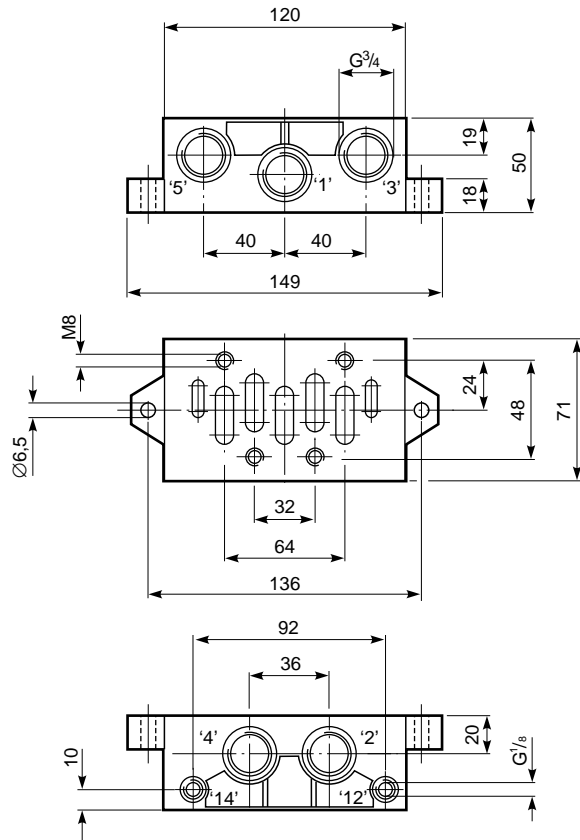
Model Number: **M/P29999**

Type: Overported single sub-base with ports on the sides



Sub-bases for ISO #3 valves

Overported Sub-base

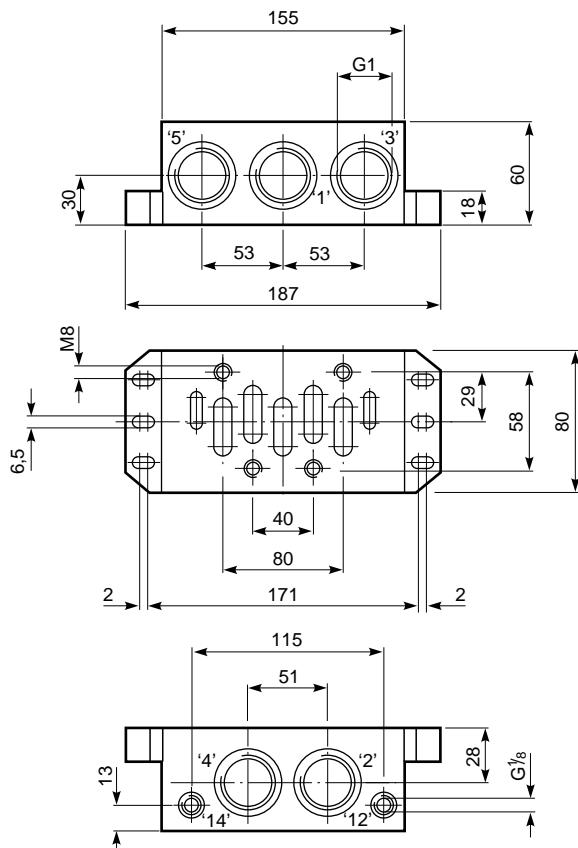


Model Number: **M/P32000**

Type: Overported single sub-base with ports on the sides

Sub-bases for ISO #4 valves

Overported Sub-base



Model Number: **M/P32001**

Type: Overported single sub-base with ports on the sides