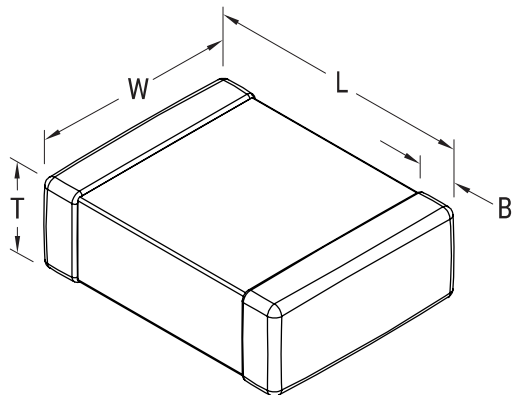


KEMET Part Number: C2225C105MARACTU
(C2225C105MARAC7800)

SMD Comm X7R Tip-Ring, Ceramic, 1 uF, 20%, 250 VDC, X7R, SMD, MLCC, Temperature Stable, Tin Termination, 2225



Dimensions

| | |
|----------|-----------------|
| L | 5.6mm +/-0.4mm |
| W | 6.4mm +/-0.4mm |
| T | 1.4mm +/-0.15mm |
| B | 0.6mm +/-0.35mm |

Packaging Specifications

| | |
|----------------------------|--------------------------|
| Packaging: | T&R, 180mm, Plastic Tape |
| Packaging Quantity: | 1000 |

General Information

| | |
|-----------------------|--|
| Supplier: | KEMET |
| Series: | SMD Comm X7R Tip-Ring |
| Style: | SMD Chip |
| Description: | SMD, MLCC, Temperature Stable, Tin Termination |
| Features: | Tin Termination |
| RoHS: | Yes |
| Termination: | Tin |
| Marking: | No |
| Miscellaneous: | Note: Referee time for X7R dielectric for this part number is 1000 hours |
| Chip Size: | 2225 |

Specifications

| | |
|---|---------------------|
| Capacitance: | 1 uF |
| Capacitance Tolerance: | 20% |
| Voltage DC: | 250 VDC |
| Dielectric Withstanding Voltage: | 625 V |
| Temperature Range: | -55/+125C |
| Temperature Coefficient: | X7R |
| Dissipation Factor: | 2.50% 1kHz 25C |
| Aging Rate: | 3% Loss/Decade Hour |
| Insulation Resistance: | 1 GOhms |