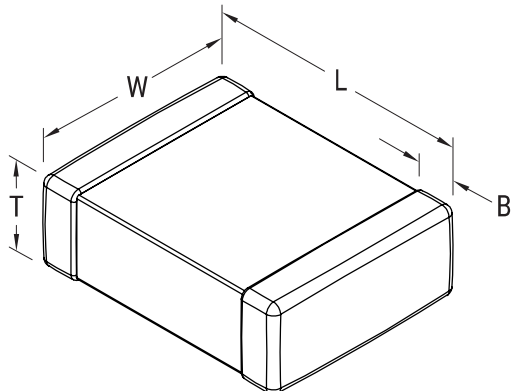


KEMET Part Number: CDR31BX102BKSR-T&R
(C0805N102K1XRH7189)

SMD Mil PRF55681, Ceramic, Military/High Reliability, 1000 pF, 10%, 100 VDC, BX, R (0.01%/1000 Hrs), 0805




Dimensions

L	2mm +0.8/-0.2mm (0.079 in +0.031/-0.008 in)
W	1.25mm +0.5/-0.2mm (0.049 in +0.02/-0.008 in)
T	1.3mm +0.3mm (0.051 in +0.012 in)
B	0.5mm +0.5/-0.2mm (0.02 in +0.02/-0.008 in)

Packaging Specifications

Packaging:	T&R, 178mm, Plastic Tape
Packaging Quantity:	2500

General Information

Supplier:	KEMET
Series:	SMD Mil PRF55681
Style:	SMD Chip
RoHS:	No
Prop 65:	 WARNING: Cancer and reproductive harm - www.p65warnings.ca.gov
REACH:	SVHC (Pb - CAS 7439-92-1)
Termination:	Lead (SnPb)
Failure Rate:	R (0.01%/1000 Hrs)
Testing and Reliability:	MIL-PRF-55681
Qualifications:	MIL-PRF-55681
Miscellaneous:	Termination Description: SolderCoat 60-40
Chip Size:	0805

Specifications

Capacitance:	1000 pF
Capacitance Tolerance:	10%
Voltage DC:	100 VDC
Temperature Range:	-55/+125C
Temperature Coefficient:	BX