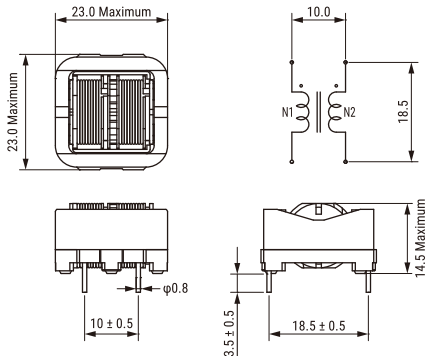


KEMET, SSR21NV/NH, AC Line Filters, Common Mode, 6400 uH



| Dimensions | |
|------------|-----------------|
| L | 23mm MAX |
| T | 23mm MAX |
| H | 14.5mm MAX |
| LL | 3.5mm +/-0.5mm |
| S | 18.5mm +/-0.5mm |

| Packaging Specifications | |
|--------------------------|--------|
| Packaging: | Tray |
| Packaging Quantity: | 420 |
| Weight: | 14.5 g |

| General Information | |
|---------------------|--|
| Series: | SSR21NV/NH |
| Style: | Through-Hole |
| Features: | Compact Size, Light Weight, High Performance, Low DCR, High Impedance, Strong Inductance |
| RoHS: | Yes |
| Miscellaneous: | 45 (K) Temperature Rise Max. |

| Specifications | |
|--------------------|-----------------|
| Voltage AC: | 250 VAC |
| Inductance: | 6.4 mH (10 kHz) |
| Current: | 2 A |
| Temperature Range: | -25/+120C |
| DC Resistance: | 90 mOhms |