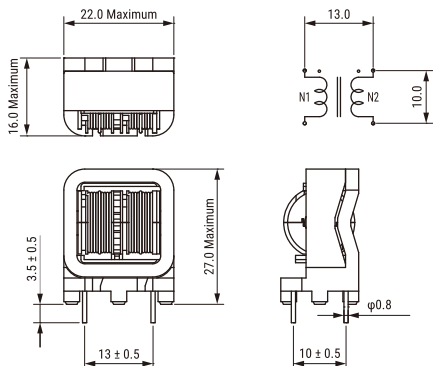


KEMET, SSR21NVS/NHS, AC Line Filters, Common Mode, 0.011 H



| Dimensions |                |
|------------|----------------|
| L          | 22mm MAX       |
| T          | 16mm MAX       |
| H          | 27mm MAX       |
| LL         | 3.5mm +/-0.5mm |
| S          | 10mm +/-0.5mm  |

| Packaging Specifications |        |
|--------------------------|--------|
| Packaging:               | Tray   |
| Packaging Quantity:      | 450    |
| Weight:                  | 14.5 g |

| General Information |   |
|---------------------|---|
| Series:             | SSR21NVS/NHS                                      |
| Style:              | Through-Hole                                      |
| Features:           | High Performance, High Frequency, Broad Bandwidth |
| RoHS:               | Yes   |
| Miscellaneous:      | 45 (K) Temperature Rise Max.                      |

| Specifications     |                |
|--------------------|----------------|
| Voltage AC:        | 250 VAC        |
| Inductance:        | 11 mH (10 kHz) |
| Current:           | 1.3 A          |
| Temperature Range: | -25/+120C      |
| DC Resistance:     | 190 mOhms      |