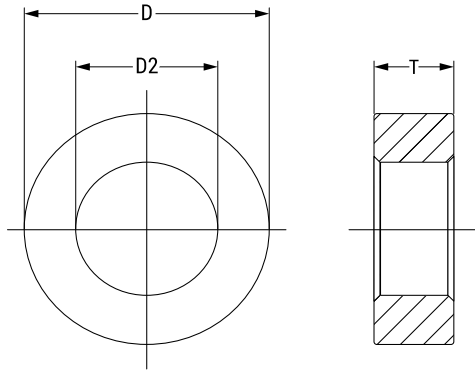


KEMET, ESD-R-SR, EMI Cores, Noise Suppression



Dimensions	
D	51mm MAX
D2	24.4mm +/-1mm
T	19mm MAX

Packaging Specifications	
Packaging:	Tray, Box
Packaging Quantity:	100
Weight:	92 g

General Information	
Series:	ESD-R-SR
Style:	Round - Toroidal
Cable Type:	Round Cable
Description:	EMI Core Solid, Large-Size Ring Type, For Round Cables, Case Type
Features:	High Impedance, Effectively Suppresses Radiation at 150 kHz, Low Frequency Noise
RoHS:	Yes
Qualifications:	UL94 V-2
Case Color:	White with blue tape
Materials:	Mn-Zn

Specifications	
Temperature Range:	-25/+85C
Effective Frequency:	10 MHz (AM Band Range)