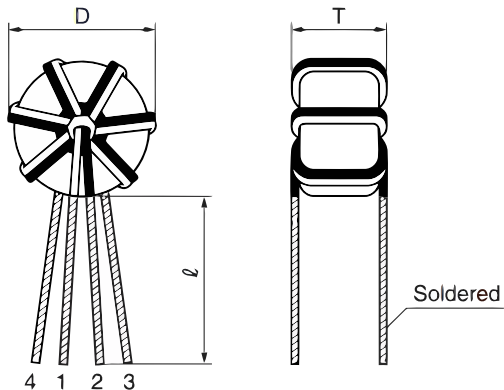


**KEMET Part Number: SHO-302**  
(SHO302)

KEMET, SHO, DC Line Filters, Common Mode, 3900 nH



| General Information |              |
|---------------------|--------------|
| Series:             | SHO          |
| Style:              | Through-Hole |
| RoHS:               | Yes          |

| Specifications     |          |
|--------------------|----------|
| Voltage DC:        | 50 VDC   |
| Inductance:        | 3.9 uH   |
| Temperature Range: | -25/+70C |
| DC Resistance:     | 10 mOhms |

| Dimensions |             |
|------------|-------------|
| L          | 11mm MAX    |
| T          | 7.5mm MAX   |
| H          | 11mm MAX    |
| LL         | 10mm +/-3mm |

| Packaging Specifications |           |
|--------------------------|-----------|
| Packaging:               | Bulk, Box |
| Packaging Quantity:      | 6000      |
| Weight:                  | 1.05 g    |