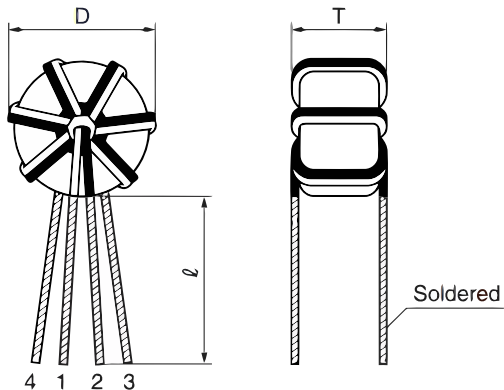


KEMET Part Number: SHO-303
(SHO303)

KEMET, SHO, DC Line Filters, Common Mode, 6000 nH



General Information	
Series:	SHO
Style:	Through-Hole
RoHS:	Yes

Specifications	
Voltage DC:	50 VDC
Inductance:	6 uH
Temperature Range:	-25/+75C
DC Resistance:	8 mOhms

Dimensions	
L	11mm MAX
T	8mm MAX
H	11mm MAX
LL	10mm +/-3mm

Packaging Specifications	
Packaging:	Bulk, Box
Packaging Quantity:	6000
Weight:	1.24 g

Statements of suitability for certain applications are based on our knowledge of typical operating conditions for such applications, but are not intended to constitute - and we specifically disclaim - any warranty concerning suitability for a specific customer application or use. This Information is intended for use only by customers who have the requisite experience and capability to determine the correct products for their application. Any technical advice inferred from this Information or otherwise provided by us with reference to the use of our products is given gratis, and we assume no obligation or liability for the advice given or results obtained.