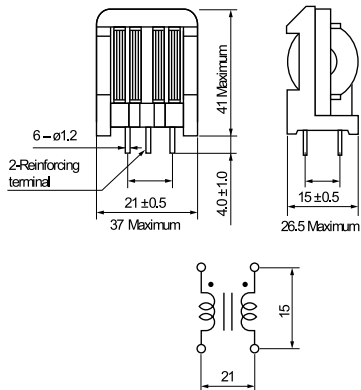


KEMET Part Number: SS35V-45022 **Not for New Design**
 (UAL35V45022000, SS35V/H-45022)

KEMET, SS35V/35H, AC Line Filters, Common Mode, 2200 uH



Dimensions	
L	37mm MAX
T	26.5mm MAX
H	41mm MAX
LL	4mm +/-1mm
S	15mm +/-0.5mm

Packaging Specifications	
Weight:	53 g

General Information	
Series:	SS35V/35H
Style:	Through-Hole
RoHS:	Yes
Miscellaneous:	Inductance Measurement Condition: 1kHz 1V KC530

Specifications	
Voltage AC:	250 VAC
Inductance:	2.2 mH
Current:	4.5 A
Temperature Range:	-25/+120C
DC Resistance:	60 mOhms