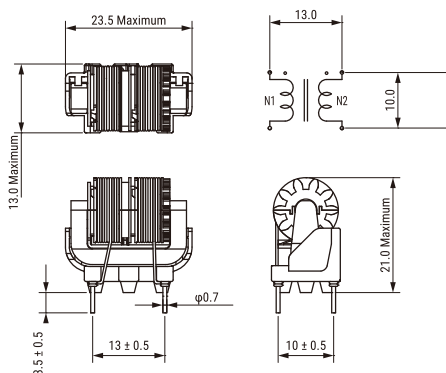


KEMET, SSR10VS/HS, AC Line Filters, Common Mode, 0.011 H



| Dimensions | |
|------------|----------------|
| L | 23.5mm MAX |
| T | 13mm MAX |
| H | 21mm MAX |
| LL | 3.5mm +/-0.5mm |
| S | 13mm +/-0.5mm |

| Packaging Specifications | |
|--------------------------|------|
| Packaging: | Tray |
| Packaging Quantity: | 600 |
| Weight: | 9 g |

| General Information | |
|---------------------|--|
| Series: | SSR10VS/HS |
| Style: | Through-Hole |
| Features: | Compact Size, Low Profile, Light Weight, High Frequency, Broad Bandwidth |
| RoHS: | Yes |
| Miscellaneous: | 50 (K) Temperature Rise Max. |

| Specifications | |
|--------------------|----------------|
| Voltage AC: | 250 VAC |
| Inductance: | 11 mH (10 kHz) |
| Current: | 1.1 A |
| Temperature Range: | -25/+120C |
| DC Resistance: | 330 mOhms |